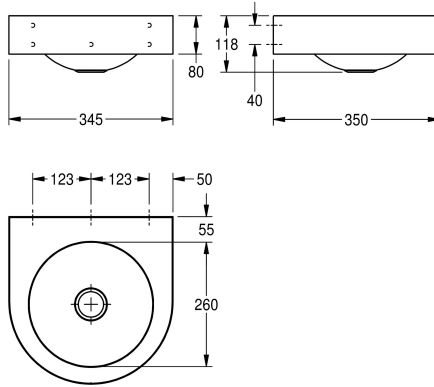
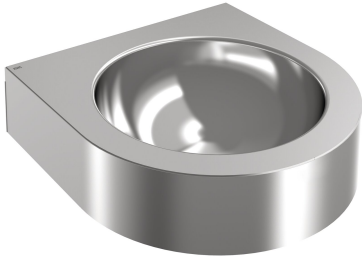


KWC ANIMA Single washbasin

Modell-Linie: ANIMA | WB260WM
Washbasins & Washtroughs | Wash basins



KWC-No.

2030072330

ANIMA single washbasin, for wall-mounting, stainless steel, satin finished surface, material thickness 1.0 mm, semicircular washbasin shape, seamlessly welded-in round inset vanity basin, with surrounding apron, without overflow, with 55 mm tap ledge (T).

G 1 1/4 B strainer waste, centre waste, including mounting material.

Dimensions 345 x 118 x 350 mm (W x H x D)
Bowl dimensions 260 x 118 mm (D x H)

