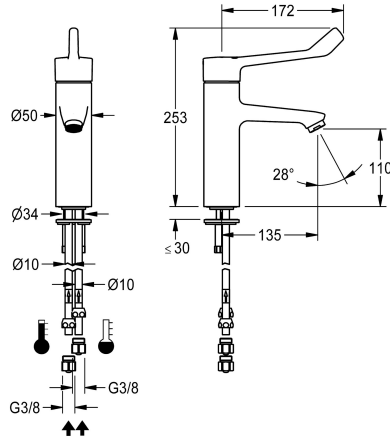


KWC F4LT-Med Thermostatic single lever mixer

Modell-Linie: F4 | F4LT1011
Taps | Manual taps



KWC-No.

2030072403

2030072405
with connection pipes

water connection

hose (gland nut)

pipe

F4LT-Med thermostatic single lever mixer as DN 15 pillar mixer for sanitary facilities in the healthcare and nursing sector, lever length 172 mm. Thermostat-controlled mixer cartridge with expansion element and active scald protection, fail-safe against backflow, as well as adjustable and turn-proof temperature stop, and ceramic disc technology. Without backflow preventer for optimised drinking water hygiene. Lever cap ergonomically designed in closed

construction for contactless lever actuation. For connection to hot water and cold water via pipes, includes strainers. Tap optimised for cleaning, all-metal construction, polished chromium-plated low-lead brass (lead proportion $\leq 0.2\%$), with volume-reduced water flow without nickel coating. Laminar jet controller with integrated flow rate controller 8.0 l/min, projection 135 mm.

Technical Data

compatible A3000 open

depressurised

functional principle

diameter nominal

inlet size

Locking mechanism

material fitting

minimum flow pressure

type of mixing

overall height

overall width

Pop-up waste set

Spout

spout projection

surface finish fitting

surface treatment fitting

temperature limit

type of mounting

type of operation

type of tap

volume flow rate at 3 bar

water connection

no

no

manual

DN 15

G 3/8

Top section, ceramic

brass-look

1 bar

with thermostat

253 mm

50 mm

no

fixed

135 mm

chromed

polished

yes

tap hole

manual operation

pillar tap

0.13 l/s

pipe



KWC F4LT-Med Thermostatic single lever mixer

Modell-Linie: F4 | F4LT1011
Taps | Manual taps

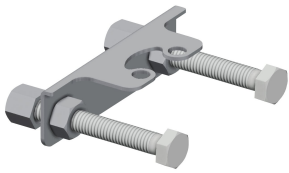
Accent colour

none

Basic colour

chrome-look (glossy)

Optional Accessories



Anti-twist protection

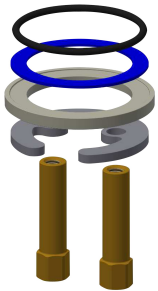
2030041324
ACLM1009



Theft-proof housing for aerator

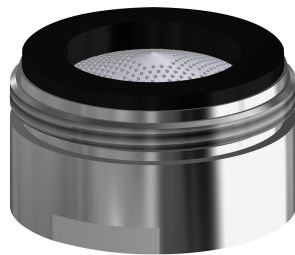
2000104778
ZTAPS0005

Spare Parts



Quick-action fastener

2030010045
EAQFT0005



Aerator

2030071309
ASXX1042