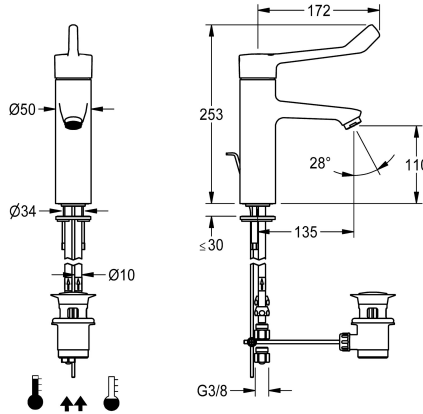


## KWC F4LT-Med Thermostatic single lever mixer with pop-up waste set

Modell-Linie: F4 | F4LT1016  
Taps | Manual taps



### KWC-No.

2030072404

2030072406  
with connection pipes

### water connection

hose (gland nut)

pipe

F4LT-Med thermostatic single lever mixer as DN 15 pillar mixer for sanitary facilities in the healthcare and nursing sector, lever length 172 mm. Thermostat-controlled mixer cartridge with expansion element and active scald protection, fail-safe against backflow, as well as adjustable and turn-proof temperature stop, and ceramic disc technology. Without backflow preventer for optimised drinking water hygiene. Lever cap ergonomically designed in closed

construction for contactless lever actuation. For connection to hot water and cold water via pipes, includes strainers. Tap optimised for cleaning, all-metal construction, polished chromium-plated low-lead brass (lead proportion  $\leq 0.2\%$ ), with volume-reduced water flow without nickel coating. Laminar jet controller with integrated flow rate controller 8.0 l/min, projection 135 mm. With chromium-plated pop-up waste set waste fitting kit G 1 1/4.

### Technical Data

compatible A3000 open

depressurised

functional principle

diameter nominal

inlet size

Locking mechanism

material fitting

minimum flow pressure

type of mixing

overall height

overall width

Pop-up waste set

Spout

spout projection

surface finish fitting

surface treatment fitting

temperature limit

type of mounting

type of operation

type of tap

water connection

Accent colour

no

no

manual

DN 15

G 3/8

Top section, ceramic

brass

1 bar

with thermostat

253 mm

50 mm

yes

fixed

135 mm

chromed

polished

yes

tap hole

manual operation

pillar tap

pipe

none



## KWC F4LT-Med

Thermostatic single lever mixer with pop-up waste set

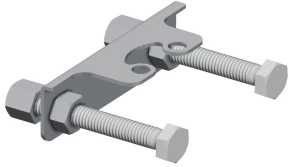
Modell-Linie: F4 | F4LT1016

Taps | Manual taps

Basic colour

chrome-look (glossy)

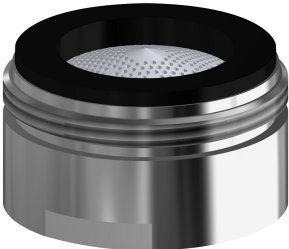
### Optional Accessories



#### Anti-twist protection

**2030041324**  
ACLM1009

### Spare Parts



#### Aerator

**2030071309**  
ASXX1042