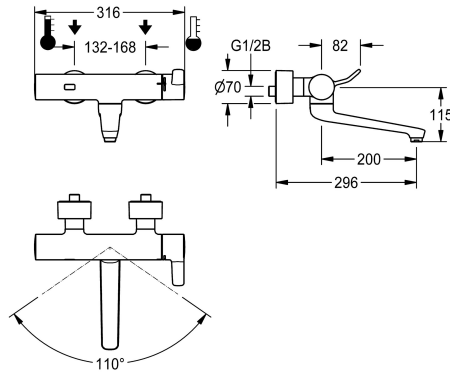


KWC F4ET-Med Thermostatic wall-mounted mixer

Modell-Linie: F4 | F4ET1002
Taps | Electronic taps



KWC-No.

2030072425

F4ET-Med thermostatic wall-mounted mixer as DN 15 wall-mounted mixer, for wall mounting with lockable swivelling spout, for surgical sanitary facilities in the healthcare and nursing sector. Opto-electronically controlled, triggered by hand movement with subsequent automatic switching to body detection. Thermostat with metal handle, including lever for reduced-touch operation, and adjustable, turn-proof temperature stop. With the option of manual thermal disinfection. For connecting to hot and cold water. Control electronics, stagnation-free hygiene solenoid valve cartridge, flow rate controller 9.0 l/min, 6 V lithium battery (CR-P2) and sensor in the scald-protected safe-touch housing, polished chromium-plated

brass. Decoupled from the tap housing, volume-reduced, smooth water flow from low-lead brass (lead proportion $\leq 0.2\%$), and without nickel coating. With thermal insulation components to reduce heat transfer from the tap housing to the cold-water line. Self-emptying spout with laminar jet controller. With adjustable and lockable connections with backflow preventers and strainers, fully covered by depth-adjustable screw rosettes. 296 mm projection. Activated water hygiene flushing 24 hours after last activation, safety switch-off for continuous reflection and saving of statistical data. With option for parameterisation and communication via optional, bidirectional remote control.

Technical Data

with backflow preventer

yes

compatible A3000 open

no

default automatic hygiene flush

24h after the last activity

depressurised

no

with filter

yes

adjustable flow time

yes

functional principle

electronic self-closing

hygiene flushing

yes

diameter nominal

DN 15

inlet size

G 1/2 B

Locking mechanism

Top section, non-ceramic

material fitting

brass-look

maximum flow time

255 Seconds

minimum flow pressure

1 bar

minimum flow time

1 Seconds

type of mixing

with thermostat

number of batteries

1

overall depth

296 mm

overall width

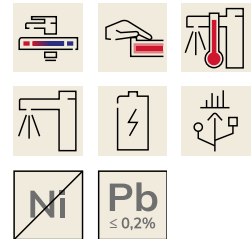
316 mm

Parameterization

remote control

Pop-up waste set

no



KWC F4ET-Med Thermostatic wall-mounted mixer

Modell-Linie: F4 | F4ET1002
Taps | Electronic taps

power supply connection	Battery 6 V
Type of power supply	Battery
protective system IP	IP59K
with rosettes/cover plate	yes
protective shutdown	yes
Spout	rotating, bottom
spout projection	200 mm
surface finish fitting	chromed
surface treatment fitting	polished
temperature limit	yes
thermal disinfection	manual
with transformer/power supply	no
type of batteries	CR-P2 Lithium battery 6V
type of mounting	wall mounting
type of operation	sensor operation
type of sensor	opto-electronic sensor
type of tap	bib tap
volume flow rate at 3 bar	0.15 l/s
water connection	S-connections
Accent colour	none
Basic colour	chrome-look (glossy)

Optional Accessories



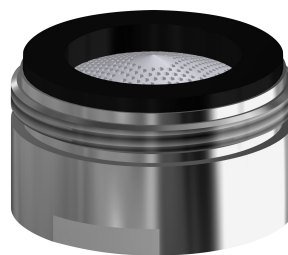
Bidirectional remote control for electronic fittings F3 and F5

2030036654
ACEX9005



2-button remote control for fittings F3 and F5

2030036849
ACEX9004



Aerator

2030071309
ASXX1042

Spare Parts

KWC F4ET-Med Thermostatic wall-mounted mixer

Modell-Linie: F4 | F4ET1002
Taps | Electronic taps



Battery compartment

3600002063
ACEX9023



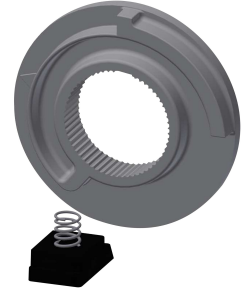
Lithium battery 6 V

2000104846
EPRTR0008



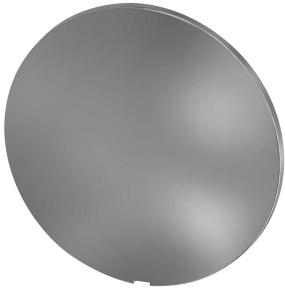
F5 Foil

2030053034
ASET2010



Temperature stop

2030003296
EAQLT0003



Cover

2030003258
EAQLT0002