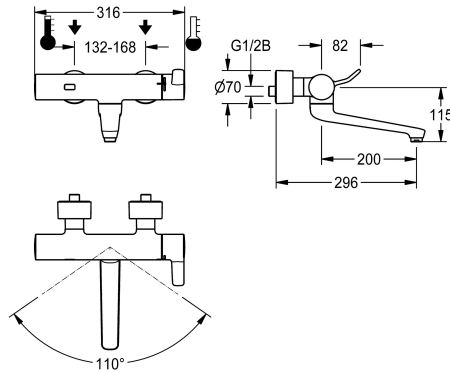


## KWC F4ET-Med Thermostatic wall-mounted mixer

Modell-Linie: F4 | F4ET1002  
Kranar | Elektroniska kranar



### KWC-No.

**2030072425**

F4ET-Med thermostatic wall-mounted mixer as DN 15 wall-mounted mixer, for wall mounting with lockable swivelling spout, for surgical sanitary facilities in the healthcare and nursing sector. Opto-electronically controlled, triggered by hand movement with subsequent automatic switching to body detection. Thermostat with metal handle, including lever for reduced-touch operation, and adjustable, turn-proof temperature stop. With the option of manual thermal disinfection. For connecting to hot and cold water. Control electronics, stagnation-free hygiene solenoid valve cartridge, flow rate controller 9.0 l/min, 6 V lithium battery (CR-P2) and sensor in the scald-protected safe-touch housing, polished chromium-plated

brass. Decoupled from the tap housing, volume-reduced, smooth water flow from low-lead brass (lead proportion  $\leq 0.2\%$ ), and without nickel coating. With thermal insulation components to reduce heat transfer from the tap housing to the cold-water line. Self-emptying spout with laminar jet controller. With adjustable and lockable connections with backflow preventers and strainers, fully covered by depth-adjustable screw rosettes. 296 mm projection. Activated water hygiene flushing 24 hours after last activation, safety switch-off for continuous reflection and saving of statistical data. With option for parametrisation and communication via optional, bidirectional remote control.

### Technical Data

ATT-WS-BACKFLOWPREVENTER

A3000 open-kompatibel

Standard automatisk hygien spolning

Nedtryckt

med filter

Justerbar flödestid

Funktionell princip

ATT-WS-HYGIENE-FLUSH

Nominell diameter

Inbyggnadsmått

Låsmekanism

Material delar

Maximal flödestid

Minimalt flödestryck

Minimal flödes tid

Typ av blandning

Antal batterier

Övergripande djup

Total bredd

Parametrisering

ATT-WS-POPUWASTESET

Ja

Nej

24 timmar efter den senaste operationen

Nej

Ja

Ja

Elektronisk självstängande

Ja

DN 15

G 1/2 B

TOP-NONCERAMIC

Mässing

255 Sekunder

1 bar

1 Sekunder

Med termostat

1

296 mm

316 mm

Fjärrkontroll

Nej



## KWC F4ET-Med Thermostatic wall-mounted mixer

Modell-Linie: F4 | F4ET1002  
Kranar | Elektroniska kranar

Kraft försörjnings anslutning	Batteri 6 V
ATT-WS-POWTYPE	BATTERY
Skydds system IP	59K
ATT-WS-ROSETTES	Ja
Säkerhetsavstängning	Ja
ATT-WS-SPOUT	ROTATING-BOT
Sprut kastare	200 mm
yt finish	Förkromad
Passande ytfinish	POLISHED
ATT-WS-TEMPERATURELIMIT	Ja
terminal för desinfektion	MANUAL
ATT-WS-TRANSFORMER	Nej
Typ av batterier	CR-P2
Typ av montering	Väggmontering
Typ av operation	Sensor styrning
Typ av sensor	Utan elektronisk sensor
Typ av kran	Tvågreppsblandare
Volymflöde vid 3 bar	0.15 l/s
Vattenanslutning	S-anslutningar
Accentfärg	utan
Basfärg	Kromat utseende (glansigt)

### Extratillbehör



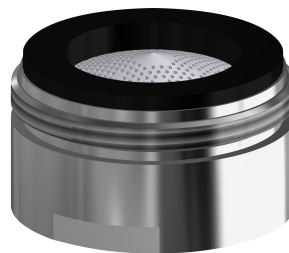
**Bidirectional remote control for electronic fittings F3 and F5**

**2030036654**  
ACEX9005



**2-button remote control for fittings F3 and F5**

**2030036849**  
ACEX9004



**Aerator**

**2030071309**  
ASXX1042

### Reservdelar



**KWC F4ET-Med**  
Thermostatic wall-mounted mixer

**Modell-Linie: F4 | F4ET1002**  
Kranar | Elektroniska kranar



**Battery compartment**

---

**360002063**  
ACEX9023

---