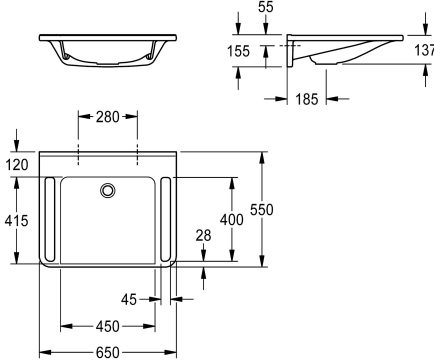


## KWC MEDCARE

Single washbasin, barrier-free

Modell-Linie: MEDCARE | JANMW0043

Washbasins & Washtroughs | Wash basins



### KWC-No.

2030072427

2030072429  
without tap hole

### number of tap holes

1

MEDCARE single washbasin made of MIRANIT resin-bonded mineral material with pore-free smooth surface (temperature-resistant up to 80 °C). Alpine white colour. Roll-under, with integrated grab rails, seamless moulded bowl, without overflow, without tap hole. Mounting on washbasin back panel. Rear surge

edge, including mounting material.

Dimensions 650 x 150 x 550 mm (W x H x D)  
Bowl dimensions 450 x 117 x 415 mm (W x H x D)

### Technical Data

barrier-free
type of basin
bowl position
colour
material
material code
number of bowls
overall depth
overall height
overall width
overflow
rear upstand
siphon diameter
siphon included
splash back
tap ledge
type of mounting
waste hole position
waste sleeve included
Colour strip

yes
Wash basin
Center
alpinewhite
mineral material
Miranit
1
550 mm
150 mm
650 mm
no
yes
DN 32
no
no
yes
wall mounting
centre back
no
no

### Optional Accessories

## KWC MEDCARE

Single washbasin, barrier-free

Modell-Linie: MEDCARE | ANMW0043

Washbasins & Washtroughs | Wash basins



**Dome waste valve, chrome-plated**

**2030057337**  
ZANMW0030

**Strainer waste**

**2000100854**  
ZANMW901