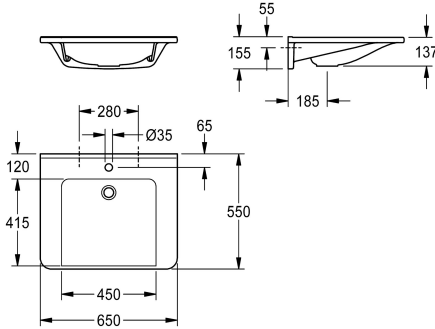


## KWC MEDCARE

Single washbasin, barrier-free

Modell-Linie: MEDCARE | JANMW0044

Washbasins & Washtroughs | Wash basins



### KWC-No.

2030072430

2030072431  
without tap hole

### number of tap holes

1

MEDCARE single washbasin made of MIRANIT resin-bonded mineral material with pore-free smooth surface (temperature-resistant up to 80 °C). Alpine white colour. Roll-under, with seamless moulded bowl, without overflow, with tap hole 35 mm (D). Mounting on washbasin back panel. Rear surge edge, including mounting

material.

Dimensions 650 x 150 x 550 mm (W x H x D)  
Bowl dimensions 450 x 117 x 415 mm (W x H x D)

### Technical Data

|                       |
|-----------------------|
| barrier-free          |
| type of basin         |
| bowl position         |
| colour                |
| material              |
| material code         |
| overall depth         |
| overall height        |
| overall width         |
| overflow              |
| overflow position     |
| rear upstand          |
| siphon diameter       |
| siphon included       |
| splash back           |
| number of tap holes   |
| tap hole diameter     |
| tap hole position     |
| tap ledge             |
| type of mounting      |
| waste hole position   |
| waste sleeve included |
| Colour strip          |

|                  |
|------------------|
| yes              |
| Wash basin       |
| Center           |
| alpinewhite      |
| mineral material |
| Miranit          |
| 550 mm           |
| 150 mm           |
| 650 mm           |
| yes              |
| back             |
| yes              |
| DN 32            |
| no               |
| no               |
| 1                |
| 35 mm            |
| middle           |
| yes              |
| wall mounting    |
| centre back      |
| no               |
| no               |



## KWC MEDCARE

Single washbasin, barrier-free

Modell-Linie: MEDCARE | ANMW0044

Washbasins & Washtroughs | Wash basins

### Optional Accessories



**Dome waste valve, chrome-plated**

**2030057337**  
ZANMW0030



**Strainer waste**

**2000100854**  
ZANMW901