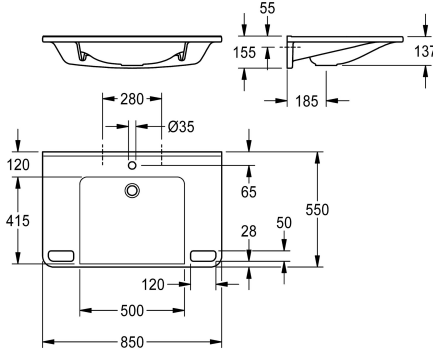


KWC MEDCARE

Single washbasin, barrier-free

Modell-Linie: MEDCARE | ANMW0051

Washbasins & Washtroughs | Wash basins



KWC-No.

2030072435

2030072437

without tap hole

number of tap holes

1

MEDCARE single washbasin made of MIRANIT resin-bonded mineral material with pore-free smooth surface (temperature-resistant up to 80 °C). Alpine white colour. Roll-under, with integrated grab rails, storage areas, seamless moulded bowl, without overflow, with tap hole 35 mm (D). Mounting on washbasin

back panel. Rear surge edge, including mounting material.

Dimensions 850 x 150 x 550 mm (W x H x D)
Bowl dimensions 500 x 117 x 415 mm (W x H x D)

Technical Data

barrier-free

type of basin

bowl position

colour

material

material code

overall depth

overall height

overall width

overflow

rear upstand

siphon diameter

siphon included

splash back

number of tap holes

tap hole diameter

tap hole position

tap ledge

type of mounting

waste hole position

waste sleeve included

Colour strip

yes

Wash basin

Center

alpinewhite

mineral material

Miranit

550 mm

150 mm

850 mm

no

yes

DN 32

no

no

1

35 mm

middle

yes

wall mounting

centre back

no

no



Optional Accessories

KWC MEDCARE

Single washbasin, barrier-free

Modell-Linie: MEDCARE | ANMW0051

Washbasins & Washtroughs | Wash basins



Dome waste valve, chrome-plated

2030057337
ZANMW0030

Strainer waste

2000100854
ZANMW901