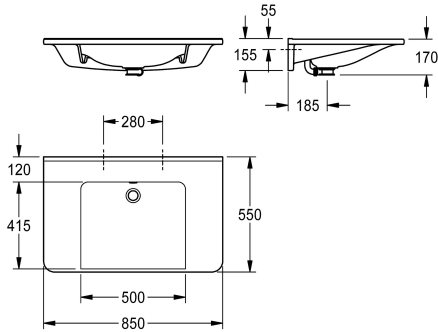


KWC MEDCARE

Single washbasin, barrier-free

Modell-Linie: MEDCARE | ANMW0055

Washbasins & Washtroughs | Wash basins



KWC-No.

2030072438

2030072439
without tap hole

number of tap holes

1

MEDCARE single washbasin made of MIRANIT resin-bonded mineral material with pore-free smooth surface (temperature-resistant up to 80 °C). Alpine white colour. Roll-under, with storage areas, seamless moulded bowl and overflow, without tap hole. Mounting on washbasin back panel. Rear surge edge, including

mounting material.

Dimensions 850 x 150 x 550 mm (W x H x D)
Bowl dimensions 500 x 117 x 415 mm (W x H x D)

Technical Data

barrier-free

type of basin

bowl position

colour

material

material code

overall depth

overall height

overall width

overflow

overflow position

rear upstand

siphon diameter

siphon included

splash back

tap ledge

type of mounting

waste hole position

waste sleeve included

Colour strip

yes

Wash basin

Center

alpinewhite

mineral material

Miranit

550 mm

150 mm

850 mm

yes

back

yes

DN 32

no

no

yes

wall mounting

centre back

no

no

Optional Accessories

KWC MEDCARE

Single washbasin, barrier-free

Modell-Linie: MEDCARE | ANMW0055

Washbasins & Washtroughs | Wash basins



Dome waste valve, chrome-plated

2030057337
ZANMW0030
