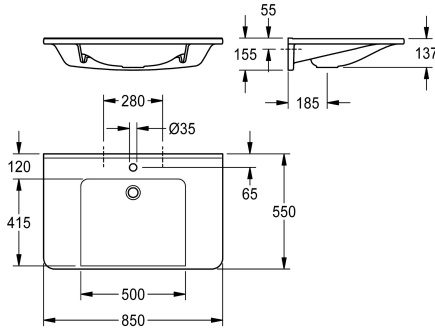


## KWC MEDCARE

Single washbasin, barrier-free

Modell-Linie: MEDCARE | ANMW0056

Washbasins & Washtroughs | Wash basins



### KWC-No.

2030072440

2030072441  
without tap hole

### number of tap holes

1

MEDCARE single washbasin made of MIRANIT resin-bonded mineral material with pore-free smooth surface (temperature-resistant up to 80 °C). Alpine white colour. Roll-under, with storage areas, seamless moulded bowl, without overflow, with tap hole 35 mm (D). Mounting on washbasin back panel. Rear surge edge,

including mounting material.

Dimensions 850 x 150 x 550 mm (W x H x D)  
Bowl dimensions 500 x 117 x 415 mm (W x H x D)

### Technical Data

barrier-free
type of basin
bowl position
colour
material
material code
overall depth
overall height
overall width
overflow
rear upstand
siphon diameter
siphon included
splash back
number of tap holes
tap hole diameter
tap hole position
tap ledge
type of mounting
waste hole position
waste sleeve included
Colour strip

yes
Wash basin
Center
alpinewhite
mineral material
Miranit
550 mm
150 mm
850 mm
no
yes
DN 32
no
no
1
35 mm
middle
yes
wall mounting
centre back
no
no



### Optional Accessories

## KWC MEDCARE

Single washbasin, barrier-free

Modell-Linie: MEDCARE | ANMW0056

Washbasins & Washtroughs | Wash basins



**Dome waste valve, chrome-plated**

**2030057337**  
ZANMW0030

**Strainer waste**

**2000100854**  
ZANMW901