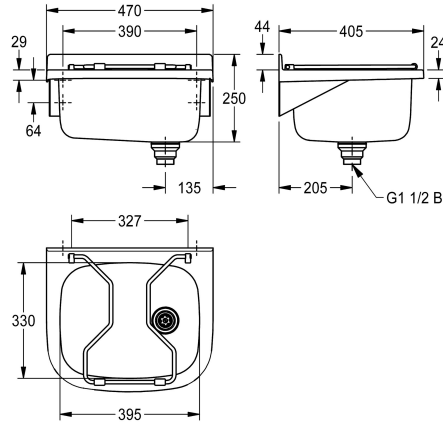


KWC SIRIUS

Utility sink

Modell-Linie: SIRIUS | BS300N

Utility sinks | Cleaners sinks



KWC-No.

207.0599.542

207.0599.545
without folding grid

grid

hinged

no

SIRIUS Utility sink for wall mounting, stainless steel, surface satin finished, material thickness 1 mm, rounded edges, with grey plastic frame, with folding grid, G 1 1/2 B plastic standpipe strainer, right hand drain, with 44 mm rear upstand, fixings included.

Dimensions 470 x 250 x 405 mm (W x H x D)
Bowl dimensions 395 x 200 x 330 mm (W x H x D)

Technical Data

splash back height

44 mm

bowl position

Center

bowl construction

radius corners

bowl - bowl height

200 mm

bowl finish

satin finished

bowl - depth

330 mm

bowl - width

395 mm

grid

hinged

grid material

stainless steel

material

stainless steel

material code

1.4301 Chrome Nickel steel V2A

material code grid

1.4301 Chrome Nickel steel V2A

material thickness

1 mm

number of waste holes

1

outlet size

G 1 1/2 B

overall depth

405 mm

overall height

250 mm

overall width

470 mm

overflow

standpipe overflow

rear upstand

no

wash riffle

no

spillway

no

splash back

no

sump

no



KWC SIRIUS

Utility sink

Modell-Linie: SIRIUS | BS300N

Utility sinks | Cleaners sinks

surface finish	satin finished
tap ledge	no
type of mounting	wall mounting
type of utility sink	cleaner sink
type of waste kit	standpipe strainer
waste hole position	right centre
waste hole projection	206 mm
waste kit included	yes
waste size	DN 40
Basic colour	stainless steel-look