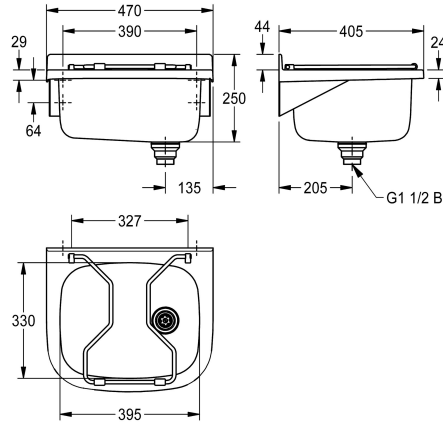


## KWC SIRIUS

Utility sink

Modell-Linie: SIRIUS | BS300N

Utility sinks | Cleaners sinks



### KWC-No.

**207.0599.542**

**207.0599.545**

without folding grid

### grid

hinged

no

SIRIUS Utility sink for wall mounting, stainless steel, surface satin finished, material thickness 1 mm, rounded edges, with grey plastic frame, with folding grid, G 1 1/2 B plastic standpipe strainer, right hand drain, with 44 mm rear upstand, fixings included.

Dimensions 470 x 250 x 405 mm (W x H x D)  
Bowl dimensions 395 x 200 x 330 mm (W x H x D)

### Technical Data

splash back height
bowl position
bowl construction
bowl - bowl height
bowl finish
bowl - depth
bowl - width
grid
grid material
material
material code
material code grid
material thickness
number of waste holes
outlet size
overall depth
overall height
overall width
overflow
rear upstand
wash riffle
spillway
splash back
sump

44 mm
center
radius corners
200 mm
satin finished
330 mm
395 mm
hinged
stainless steel
stainless steel
1.4301 Chrome Nickel steel V2A
1.4301 Chrome Nickel steel V2A
1 mm
1
G 1 1/2 B
405 mm
250 mm
470 mm
standpipe overflow
no
no
no
no
no



## KWC SIRIUS

### Utility sink

**Modell-Linie: SIRIUS | BS300N**

Utility sinks | Cleaners sinks

surface finish	satin finished
tap ledge	no
type of mounting	wall mounting
type of utility sink	cleaner sink
type of waste kit	standpipe strainer
waste hole position	right centre
waste hole projection	206 mm
waste kit included	yes
waste size	DN 40
Basic colour	stainless steel