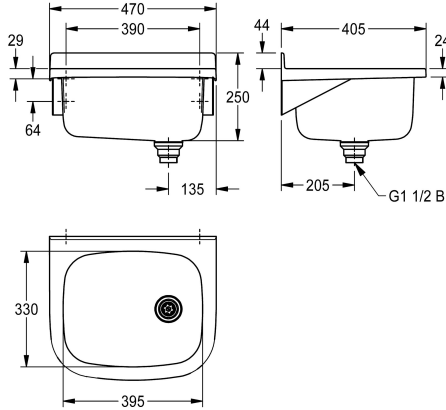


KWC SIRIUS

Utility sink

Modell-Linie: SIRIUS | BS301N

Utility sinks | Cleaners sinks



KWC-No.

207.0599.542

207.0599.545
without folding grid

grid

hinged

no

SIRIUS Utility sink for wall mounting, stainless steel, surface satin finished, material thickness 1 mm, rounded edges, with grey plastic frame, without folding grid, G 1 1/2 B plastic standpipe strainer, right hand drain, with 44 mm rear upstand, fixings included.

Dimensions 470 x 250 x 405 mm (W x H x D)
Bowl dimensions 395 x 200 x 330 mm (W x H x D)

Technical Data

splash back height

44 mm

bowl position

Center

bowl construction

radius corners

bowl - bowl height

200 mm

bowl finish

satin finished

bowl - depth

330 mm

bowl - width

395 mm

grid

no

material

stainless steel

material code

1.4301 Chrome Nickel steel V2A

material thickness

1 mm

number of waste holes

1

outlet size

G 1 1/2 B

overall depth

405 mm

overall height

250 mm

overall width

470 mm

overflow

standpipe overflow

rear upstand

no

wash riffle

no

spillway

no

splash back

no

sump

no

surface finish

satin finished

tap ledge

no



KWC SIRIUS

Utility sink

Modell-Linie: SIRIUS | BS301N

Utility sinks | Cleaners sinks

type of mounting

wall mounting

type of utility sink

cleaner sink

type of waste kit

standpipe strainer

waste hole position

right centre

waste hole projection

206 mm

waste kit included

yes

waste size

DN 40

Basic colour

stainless steel-look