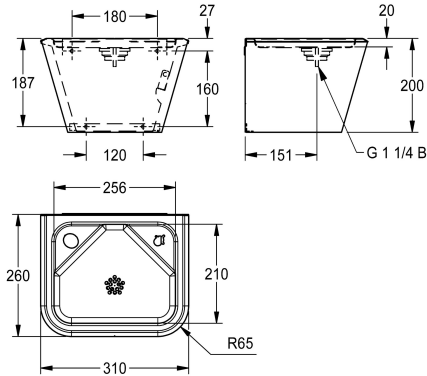


KWC ANIMA Wall-mounted drinking fountain

Modell-Linie: ANIMA | ANMX30U
Drinking fountains | Drinking fountains



KWC-No.

213.0648.990

ANIMA wall-mounted drinking fountain, stainless steel, satin finished surface, material thickness 1.2 mm, seamlessly integrated flat bowl without overflow, rectangular drinking fountain shape with rounded edges, two tap holes including cover, strainer waste G 1 1/4 B, including mounting material.

Dimensions 310 x 200 x 260 mm (W x H x D)
Bowl dimensions 256 x 20 x 210 mm (W x H x D)

Drinking fountain tap and/or bottle filler tap must be ordered separately.

Technical Data

bottle filler
bowl - bowl height
bowl - depth
bowl - width
Chiller
drinking bubbler
material
material code
material thickness
outlet size
overall depth
overall height
overall width
surface finish
type of mounting
waste hole position
waste kit included
waste size

optional
20 mm
256 mm
210 mm
no
optional
stainless steel
1.4301 Chrome Nickel steel V2A
1.2 mm
DN 32
360 mm
215 mm
360 mm
satin finished
wall mounting
centre
yes
DN 32

Mandatory Accessories

KWC ANIMA Wall-mounted drinking fountain

Modell-Linie: ANIMA | ANMX30U
Drinking fountains | Drinking fountains



ANIMA drinking fountain tap

213.0654.085
ANMX-BU



Self-closing drinking bubbler

2000101118
AQRM304



ANIMA bottle filler tap

213.0654.086
ANMX-BT

Optional Accessories



ANIMA apron

213.0651.921
ANMX-S1