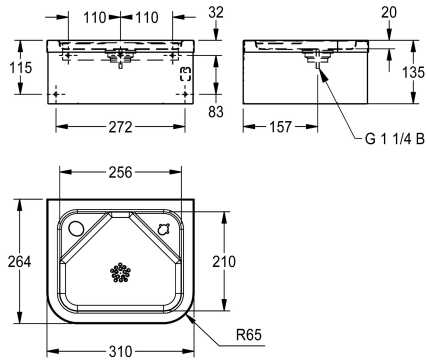


## KWC ANIMA Wall-mounted drinking fountain

Modell-Linie: ANIMA | ANMX21ES  
Drinking fountains | Drinking fountains



### KWC-No.

**213.0649.013**

ANIMA wall-mounted drinking fountain, stainless steel, satin finished surface, material thickness 1.2 mm, seamlessly integrated flat bowl without overflow, rectangular drinking fountain shape with rounded edges, two tap holes including cover, circumferential apron with material thickness 1 mm, strainer waste G 1 1/4 B, including mounting material.

Dimensions 310 x 135 x 264 mm (W x H x D)  
Bowl dimensions 256 x 20 x 210 mm (W x H x D)

Drinking fountain tap or bottle filler tap must be ordered separately.

### Mandatory Accessories



**ANIMA drinking fountain tap**

**213.0654.085**  
ANMX-BU



**Self-closing drinking bubbler**

**2000101118**  
AQRM304



**ANIMA bottle filler tap**

**213.0654.086**  
ANMX-BT

### Optional Accessories



## **KWC ANIMA**

Wall-mounted drinking fountain

**Modell-Linie: ANIMA | ANMX21ES**

Drinking fountains | Drinking fountains



**ANIMA apron**

---

**213.0670.776**

ANMX-S3

---