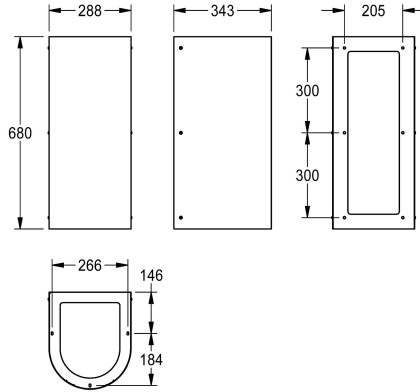


KWC ANIMA

Apron

Modell-Linie: ANIMA | ANMX-S2

Drinking fountains | Complementary parts water dispensers



KWC-No.

213.0651.922

Apron for ANMX33L wall-mounted drinking fountain

ANIMA apron for ANMX33L wall-mounted drinking fountain, for wall mounting, stainless steel, satin finished surface, material thickness 1.2 mm, floor-length.

Dimensions 288 x 680 x 343 mm (W x H x D)

Technical Data

| | |
|----------------|--------|
| overall depth | 343 mm |
| overall height | 680 mm |
| overall width | 288 mm |
| quantity | 1 |
| quantity uom | piece |

Spare Parts



Stainless steel care set

2000109019
ZWSPL0024

Cleaning product CHROMOL

2000105091
ZWSPL0023

Consumables

KWC ANIMA Apron

Modell-Linie: ANIMA | ANMX-S2
Drinking fountains | Complementary parts water dispensers



Stainless steel care set

2000109019
ZWSP0024

Cleaning product CHROMOL

2000105091
ZWSP0023