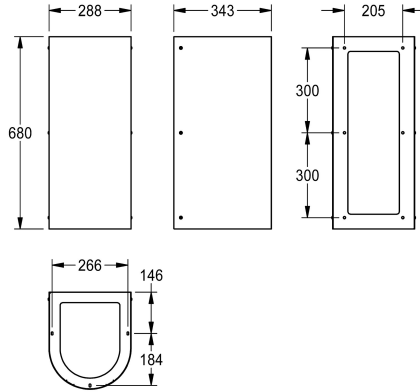


KWC ANIMA

Apron

Modell-Linie: ANIMA | ANMX-S2

Drinking fountains | Complementary parts water dispensers



KWC-No.

213.0651.922

Apron for ANMX33L wall-mounted drinking fountain

ANIMA apron for ANMX33L wall-mounted drinking fountain, for wall mounting, stainless steel, satin finished surface, material thickness 1.2 mm, floor-length.

Dimensions 288 x 680 x 343 mm (W x H x D)

Technical Data

overall depth	343 mm
overall height	680 mm
overall width	288 mm
quantity	1
quantity uom	piece

Spare Parts



Stainless steel care set

2000109019

ZWSPL0024

Cleaning product CHROMOL

2000105091

ZWSPL0023

Consumables

KWC ANIMA Apron

Modell-Linie: ANIMA | ANMX-S2
Drinking fountains | Complementary parts water dispensers



Stainless steel care set

2000109019
ZWSPL0024

Cleaning product CHROMOL

2000105091
ZWSPL0023
