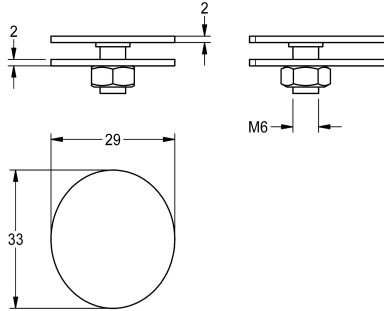
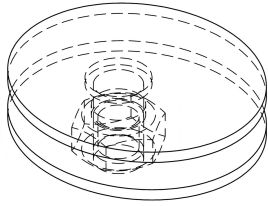


KWC Tap hole cover

Modell-Linie: ANIMA | ANMXCAP
Ricambi | Ricambi per beverini



KWC-No.

213.0659.898

Tap hole cover for ANIMA drinking fountains, manufactured from stainless steel with satin finish material thickness 1.5 mm.

Dati tecnici

teamNumber

0