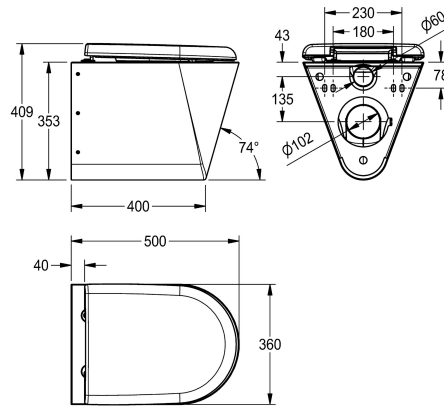
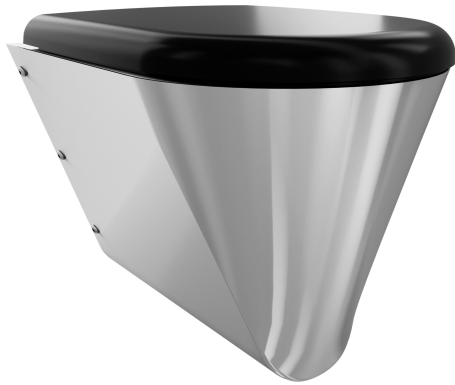


## KWC CAMPUS Wall hung WC pan

Modell-Linie: **CAMPUS | CMPX592BN**  
WCs and urinals | WCs



### KWC-No.

**2000100133**  
Without toilet seat

**2000100134**  
With 2 toilet seat pads

**3600000629**  
With black toilet seat

**3600000650**  
With grey toilet seat

**3600000651**  
With white toilet seat

### type of toilet seat

no seat

synthetic seat pad

synthetic hinged seat with lid

synthetic hinged seat with lid

synthetic hinged seat with lid

Wall hung WC pan, stainless steel, surface satin finished, material thickness 1.5 mm, flushing certificated to EN 997, concealed flushing rim with min. 4 liter flushing capacity, with a shrouded 100 mm diameter horizontal 'P' trap outlet, pressed seat area tapered towards centre, all edges curved, fixing with mounting plate

supplied, conform to EN 33, includes security screws. 4 litre flush EN 997 approved.

With black WC-seat  
Dimensions 360 x 409 x 500 mm (W x H x D)

### Technical Data

|                           |                                |
|---------------------------|--------------------------------|
| inlet size                | DN 55                          |
| material                  | stainless steel                |
| material code             | 1.4301 Chrome Nickel steel V2A |
| material thickness        | 1.5 mm                         |
| minimum flushing capacity | 4 Liter                        |
| outlet size               | DN 100                         |
| overall depth             | 500 mm                         |
| overall height            | 409 mm                         |
| overall width             | 360 mm                         |
| toilet seat colour        | black                          |
| surface finish            | satin finished                 |
| type of mounting          | wall mounting                  |
| type of toilet seat       | synthetic hinged seat with lid |
| type of WC                | wall hung                      |

|                                |
|--------------------------------|
| DN 55                          |
| stainless steel                |
| 1.4301 Chrome Nickel steel V2A |
| 1.5 mm                         |
| 4 Liter                        |
| DN 100                         |
| 500 mm                         |
| 409 mm                         |
| 360 mm                         |
| black                          |
| satin finished                 |
| wall mounting                  |
| synthetic hinged seat with lid |
| wall hung                      |

### Spare Parts

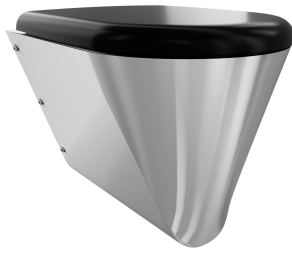
## KWC CAMPUS Wall hung WC pan

Modell-Linie: CAMPUS | CMPX592BN  
WCs and urinals | WCs



Toilet seat

**360000624**  
ECMPX592-SEATGN



Toilet seat

**360000626**  
ECMPX592-SEATBN



Toilet seat

**360000627**  
ECMPX592-SEATWN

Hinge

**360000658**  
ECMPX0058N