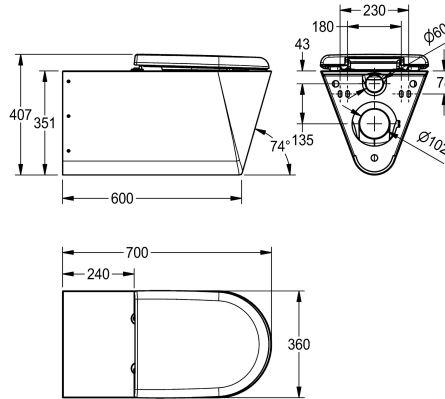
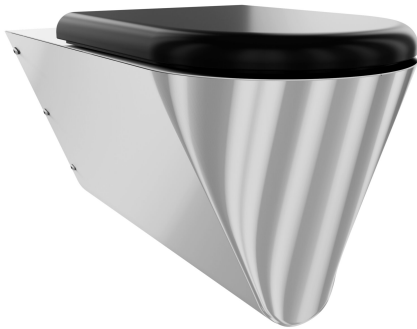


## KWC CAMPUS

Wall hung WC pan, barrier-free

Modell-Linie: CAMPUS | CMPX594BN

WCs and urinals | WCs



### KWC-No.

**2000100147**

Without toilet seat

**2000100148**

With 2 toilet seat pads

**3600000652**

With black toilet seat

**3600000653**

With grey toilet seat

**3600000654**

With white toilet seat

### type of toilet seat

No seat

synthetic seat pad

synthetic hinged seat with lid

synthetic hinged seat with lid

synthetic hinged seat with lid

Wall hung WC pan for disabled, stainless steel, surface satin finished, material thickness 1.5 mm, flushing certificated to EN 997, concealed flushing rim with min. 4 liter flushing capacity, with a shrouded 100 mm diameter horizontal 'P' trap outlet, pressed seat area tapered towards centre, all edges curved, fixing with included

mounting plate conform to EN 33, includes safety screws.

With black WC-seat

Dimensions 360 x 407 x 700 mm (W x H x D)

### Technical Data

inlet size	DN 55
material	stainless steel
material code	1.4301 Chrome Nickel steel V2A
material thickness	1.5 mm
minimum flushing capacity	4 Liter
outlet size	DN 100
overall depth	700 mm
overall height	407 mm
overall width	360 mm
toilet seat colour	black
surface finish	satin finished
type of mounting	wall mounting
type of toilet seat	synthetic hinged seat with lid
type of WC	wall hung

DN 55
stainless steel
1.4301 Chrome Nickel steel V2A
1.5 mm
4 Liter
DN 100
700 mm
407 mm
360 mm
black
satin finished
wall mounting
synthetic hinged seat with lid
wall hung

### Spare Parts

## KWC CAMPUS

Wall hung WC pan, barrier-free

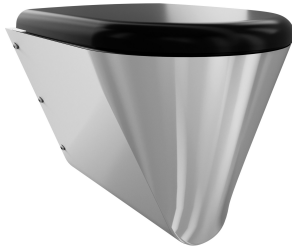
Modell-Linie: CAMPUS | CMPX594BN

WCs and urinals | WCs



Toilet seat

**3600000624**  
ECMPX592-SEATGN



Toilet seat

**3600000626**  
ECMPX592-SEATBN



Toilet seat

**3600000627**  
ECMPX592-SEATWN

Hinge

**3600000658**  
ECMPX0058N