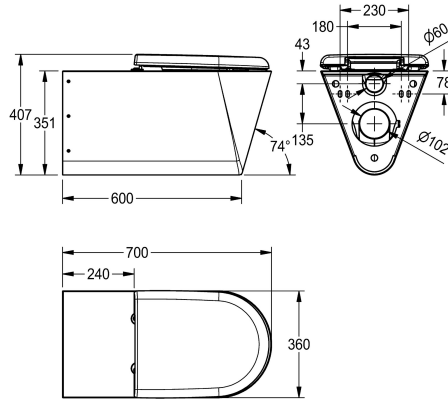
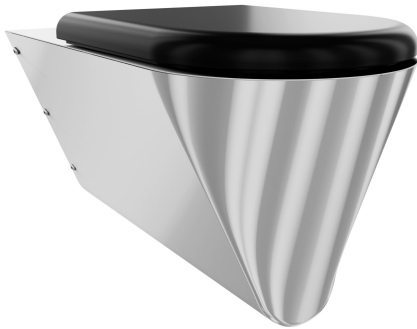


KWC CAMPUS

Wall hung WC pan, barrier-free

Modell-Linie: **CAMPUS | CMPX594BN**
WCs and urinals | WCs



KWC-No.

2000100147

Without toilet seat

2000100148

With 2 toilet seat pads

3600000652

With black toilet seat

3600000653

With grey toilet seat

3600000654

With white toilet seat

type of toilet seat

no seat

synthetic seat pad

synthetic hinged seat with lid

synthetic hinged seat with lid

synthetic hinged seat with lid

Wall hung WC pan for disabled, stainless steel, surface satin finished, material thickness 1.5 mm, flushing certificated to EN 997, concealed flushing rim with min. 4 liter flushing capacity, with a shrouded 100 mm diameter horizontal 'P' trap outlet, pressed seat area tapered towards centre, all edges curved, fixing with included

mounting plate conform to EN 33, includes safety screws.

With black WC-seat

Dimensions 360 x 407 x 700 mm (W x H x D)

Technical Data

inlet size

DN 55

material

stainless steel

material code

1.4301 Chrome Nickel steel V2A

material thickness

1.5 mm

minimum flushing capacity

4 Liter

outlet size

DN 100

overall depth

700 mm

overall height

407 mm

overall width

360 mm

toilet seat colour

black

surface finish

satin finished

type of mounting

wall mounting

type of toilet seat

synthetic hinged seat with lid

type of WC

wall hung

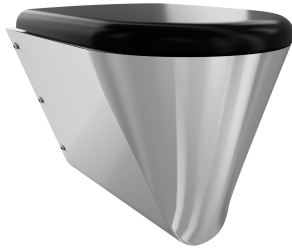
Spare Parts

KWC CAMPUS

Wall hung WC pan, barrier-free

Modell-Linie: CAMPUS | CMPX594BN

WCs and urinals | WCs



Toilet seat

360000624
ECMPX592-SEATGN

Toilet seat

360000626
ECMPX592-SEATBN

Toilet seat

360000627
ECMPX592-SEATWN

Hinge

360000658
ECMPX0058N