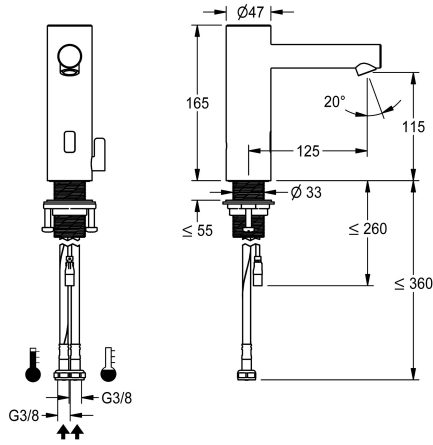


KWC F7E Electronic pillar mixer

Modell-Linie: F7 | F7EM1001
Taps | Electronic taps



KWC-No.

3600001257

F7E-Mix pillar mixer DN 15 for sanitary facilities, opto-electronically controlled. For connection to hot and cold water via hoses with integrated backflow preventers and strainers. Control electronics, solenoid valve and sensor in stainless steel housing, brushed surface, outlet height 115 mm and projection 125 mm. Stainless steel temperature lever with adjustable, turn-proof temperature stop. Angle-adjustable and anti-theft aerator with integrated flow regulator 5.7 l/min. Activated water hygiene flushing 24 hours after last activation, safety switch-off with continuous reflection and saving of statistical data. With option for parameterization and

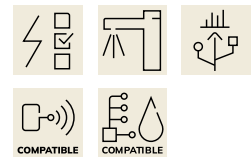
communication via optional bidirectional remote control or C module with the necessary app. Optionally for battery operation with battery compartment including 6 V lithium battery (CR-P2) per fitting, for installation below the washbasin, or for separate power supply via power supply unit 6.75 V/12 V DC or AQUA 3000 open system accessories.

Battery compartment including battery or power supply unit with extension cable must be ordered separately.

Technical Data

| |
|---------------------------------|
| with backflow preventer |
| compatible A3000 open |
| default automatic hygiene flush |
| depressurised |
| with filter |
| functional principle |
| hygiene flushing |
| diameter nominal |
| inlet size |
| Locking mechanism |
| material fitting |
| minimum flow pressure |
| type of mixing |
| Parameterization |
| Pop-up waste set |
| power supply connection |
| position of power connection |
| Type of power supply |
| with rosettes/cover plate |
| protective shutdown |
| sound insulation |
| Spout |

| |
|-----------------------------|
| yes |
| yes |
| 24h after the last activity |
| no |
| yes |
| electronic self-closing |
| yes |
| DN 15 |
| G 3/8 |
| Top section, non-ceramic |
| stainless steel |
| 1 bar |
| yes |
| remote control |
| no |
| 6,75 / 12 V DC / A3000 open |
| from bottom |
| Other |
| no |
| yes |
| no |
| fixed |



KWC F7E Electronic pillar mixer

Modell-Linie: F7 | F7EM1001
Taps | Electronic taps

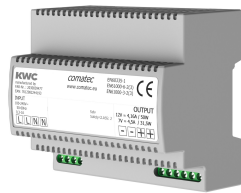
| | |
|-------------------------------|------------------------|
| surface finish fitting | brushed |
| surface treatment fitting | brushed |
| temperature limit | yes |
| thermal disinfection | no |
| with transformer/power supply | no |
| type of mounting | tap hole |
| type of operation | sensor operation |
| type of sensor | opto-electronic sensor |
| type of tap | pillar tap |
| water connection | hose (gland nut) |
| Accent colour | none |
| Basic colour | stainless steel-look |

Mandatory Accessories



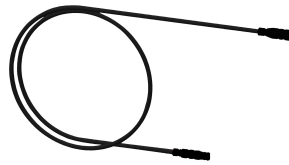
Battery compartment

3600002063
ACEX9023



Power supply unit

2030039477
ACEX9001



Extension cable 5 m

2030043814
ACEX9010



Plug-in power supply unit

3600002062
ACEX9022



In-wall power supply

2030039825
ACEX9003

Optional Accessories

KWC F7E

Electronic pillar mixer

Modell-Linie: F7 | F7EM1001

Taps | Electronic taps



Bidirectional remote control for electronic fittings F3 and F5

2030036654
ACEX9005



2-button remote control for fittings F3 and F5

2030036849
ACEX9004



C module

3600001331
ACEX9020



PURETHERM under-table thermostat

2030012758
PURE0031

Spare Parts



Hose

2030041320
ASXM1001



Stainless steel care set

2000109019
ZWSP0024



Cleaning product CHROMOL

2000105091
ZWSP0023