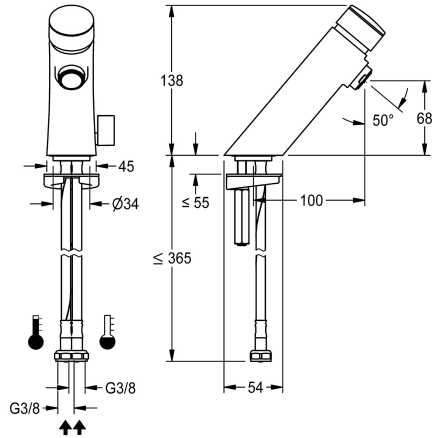


KWC F3S-Mix Self-closing pillar mixer

Modell-Linie: F3S | F3SM1101
Taps | Self closing taps



KWC-No.

3600001425

2030049136

with anti-blocking system 2 (ABS2) for safety switch-off when actuated continuously

F3S-Mix self-closing pillar mixer DN 15 for sanitary facilities. Self-closing cartridge, hydraulically controlled, piston-free design, self-closing, stepless adjustment of flow duration. For connection to hot water and cold water via hoses with integrated backflow preventer

protective shutdown

no

yes

Technical Data

with backflow preventer

calculation flow rate cold wat

calculation flow rate hot water

compatible A3000 open

depressurised

with filter

adjustable flow time

functional principle

hygiene flushing

diameter nominal

inlet size

Locking mechanism

material fitting

maximum flow time

minimum flow pressure

minimum flow time

type of mixing

Pop-up waste set

with rosettes/cover plate

protective shutdown

sound insulation

Spout

spout projection

surface finish fitting

yes

0.07 l/s

0.07 l/s

no

no

yes

yes

hydraulic self-closing

no

DN 15

G 3/8

Top section, non-ceramic

brass-look

20 Seconds

1 bar

5 Seconds

yes

no

no

no

no

fixed

100 mm

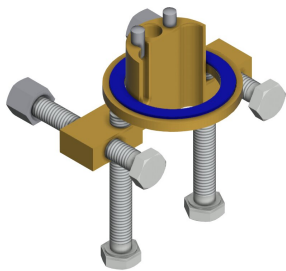
chromed

KWC F3S-Mix Self-closing pillar mixer

Modell-Linie: F3S | F3SM1101
Taps | Self closing taps

surface treatment fitting	polished
temperature limit	yes
thermal disinfection	no
type of mounting	tap hole
type of operation	manual operation
type of tap	pillar tap
water connection	hose (gland nut)
Accent colour	none
Basic colour	chrome-look (glossy)

Optional Accessories



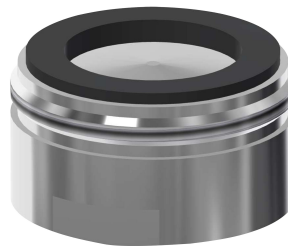
Anti-twist protection for F5S

2030035383
ACXX1001



PURETHERM under-table thermostat

2030012758
PURE0031



Aerator 6.0 l/min

2000104691
ASXX1015



Theft-proof housing for aerator

2000104778
ZTAPS0005

Spare Parts



Functional part

2000104372
ETAPS0001



3.0 l/min. aerator

2030041424
ASXX1008



Temperature lever

2030042959
ASXM1004



Hose

2030041320
ASXM1001

KWC F3S-Mix Self-closing pillar mixer

Modell-Linie: F3S | F3SM1101
Taps | Self closing taps



Quick-action fastener

2030042441
ASEX1012
