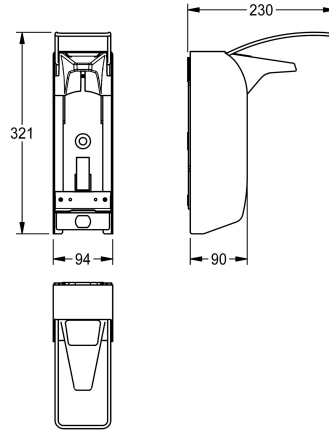


KWC MEDCARE

Dispenser for liquid soaps and disinfectants

Modell-Linie: MEDCARE | MEDC10L

Accessories | Soap dispensers



KWC-No.

360003341

with stainless steel operating lever 230 mm

360003343

with stainless steel operating lever 170 mm

overall depth

230 mm

170 mm

NEW

MEDCARE dispenser for liquid soaps and disinfectants, for wall mounting, stainless steel housing (dishwasher safe up to 60 °C), satin finished surface, material thickness 1.25 mm, grey plastic outlet cover, for 1000 ml standard Euro-bottles to be provided by the client, with stainless steel operating lever 230 mm, including

wall bracket and mounting material.

Dimensions 94 x 321 x 230 mm (W x H x D)

Disposable pump must be ordered separately.

Technical Data

filling quantity

1,000

filling quantity uom

ml

material

stainless steel

material code

1.4301 Chrome Nickel steel V2A

material thickness

1.25 mm

overall depth

230 mm

overall height

321 mm

overall width

94 mm

surface finish

satin finished

type of consumable

disinfectant and liquid soap

type of fixing

screw

type of mounting

wall mounting

type of operation

manual operation

Accent colour

grey

Basic colour

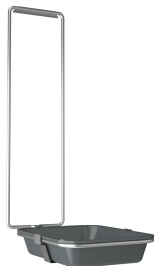
stainless steel-look

Optional Accessories

KWC MEDCARE

Dispenser for liquid soaps and disinfectants

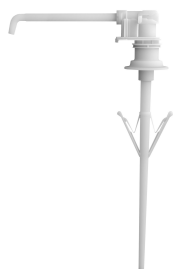
Modell-Linie: MEDCARE | MEDC10L
Accessories | Soap dispensers



Drip tray for MEDCARE dispenser

360003363
CMEDC10T

Consumables



Disposable plastic pump for MEDCARE dispenser

360003361
CMEDC10P
