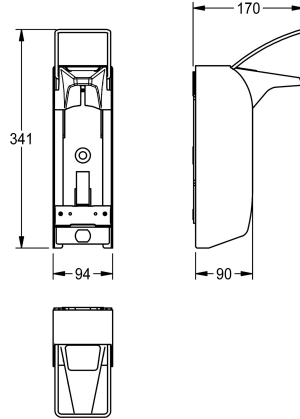


KWC MEDCARE

Dispenser for liquid soaps and disinfectants

Modell-Linie: MEDCARE | MEDC10S

Accessories | Soap dispensers



KWC-No.

360003341

with stainless steel operating lever 230 mm

360003343

with stainless steel operating lever 170 mm

overall depth

230 mm

170 mm

NEW

MEDCARE dispenser for liquid soaps and disinfectants, for wall mounting, stainless steel housing (dishwasher safe up to 60 °C), satin finished surface, material thickness 1.25 mm, grey plastic outlet cover, for 1000 ml standard Euro-bottles to be provided by the client, with stainless steel operating lever 170 mm, including

wall bracket and mounting material.

Dimensions 94 x 341 x 170 mm (W x H x D)

Disposable pump must be ordered separately.

Technical Data

filling quantity	1,000
filling quantity uom	ml
material	stainless steel
material code	1.4301 Chrome Nickel steel V2A
material thickness	1.25 mm
overall depth	170 mm
overall height	341 mm
overall width	94 mm
surface finish	satin finished
type of consumable	disinfectant and liquid soap
type of fixing	screw
type of mounting	wall mounting
type of operation	manual operation
Accent colour	grey
Basic colour	stainless steel-look

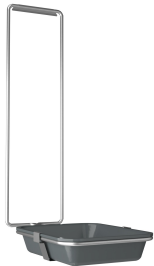
filling quantity	1,000
filling quantity uom	ml
material	stainless steel
material code	1.4301 Chrome Nickel steel V2A
material thickness	1.25 mm
overall depth	170 mm
overall height	341 mm
overall width	94 mm
surface finish	satin finished
type of consumable	disinfectant and liquid soap
type of fixing	screw
type of mounting	wall mounting
type of operation	manual operation
Accent colour	grey
Basic colour	stainless steel-look

Optional Accessories

KWC MEDCARE

Dispenser for liquid soaps and disinfectants

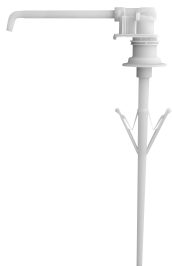
Modell-Linie: MEDCARE | MEDC10S
Accessories | Soap dispensers



Drip tray for MEDCARE dispenser

3600003363
CMEDC10T

Consumables



Disposable plastic pump for MEDCARE dispenser

3600003361
CMEDC10P
