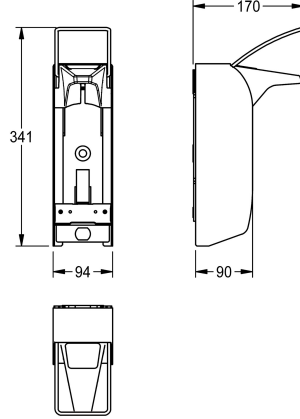


KWC MEDCARE

Dispenser for liquid soaps and disinfectants

Modell-Linie: MEDCARE | MEDC10S

Accessories | Soap dispensers



KWC-No.

360003341

with stainless steel operating lever 230 mm

360003343

with stainless steel operating lever 170 mm

overall depth

230 mm

170 mm

NEW

MEDCARE dispenser for liquid soaps and disinfectants, for wall mounting, stainless steel housing (dishwasher safe up to 60 °C), satin finished surface, material thickness 1.25 mm, grey plastic outlet cover, for 1000 ml standard Euro-bottles to be provided by the client, with stainless steel operating lever 170 mm, including

wall bracket and mounting material.

Dimensions 94 x 341 x 170 mm (W x H x D)

Disposable pump must be ordered separately.

Technical Data

filling quantity
filling quantity uom
material
material code
material thickness
overall depth
overall height
overall width
surface finish
type of consumable
type of fixing
type of mounting
type of operation
Accent colour
Basic colour

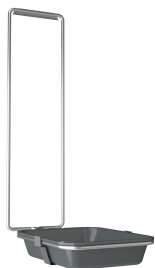
1,000
ml
stainless steel
1.4301 Chrome Nickel steel V2A
1.25 mm
170 mm
341 mm
94 mm
satin finished
disinfectant and liquid soap
screw
wall mounting
manual operation
grey
stainless steel

Optional Accessories

KWC MEDCARE

Dispenser for liquid soaps and disinfectants

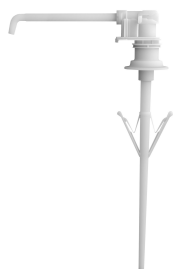
Modell-Linie: MEDCARE | MEDC10S
Accessories | Soap dispensers



Drip tray for MEDCARE dispenser

360003363
CMEDC10T

Consumables



Disposable plastic pump for MEDCARE dispenser

360003361
CMEDC10P
