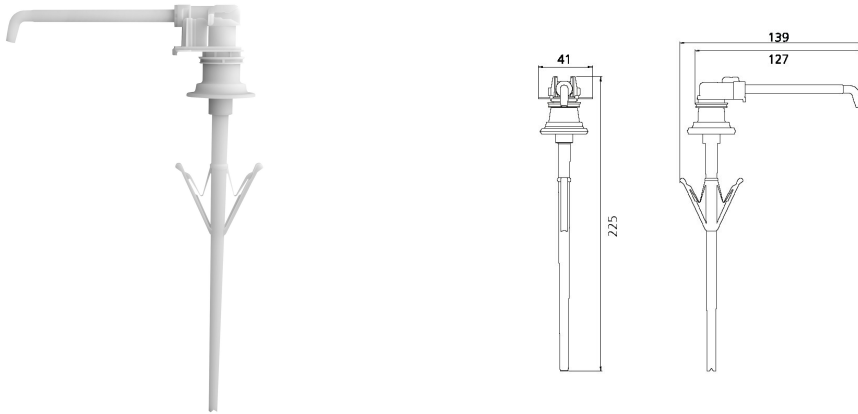


KWC MEDCARE

Disposable plastic pump for MEDCARE dispenser

Modell-Linie: MEDCARE | CMEDC10P
Consumables | Consumables Accessories



| KWC-No. |
|--|
| 360003360 Disposable plastic pump for MEDCARE dispenser, 500 ml. Packaging unit 250 pieces. |
| 360003361 Disposable plastic pump for MEDCARE Spender, 1000 ml. Packaging unit 200 pieces. |

| overall height | quantity |
|----------------|----------|
| 184 mm | 250 |
| 225 mm | 200 |

NEW

Disposable plastic pump for MEDCARE dispenser 1000 ml, dosage 1.5 ml/stroke, recyclable, individually packed in polybag for

hygiene, packaging unit 200 pieces.

| Technical Data |
|----------------|
| overall depth |
| overall height |
| overall width |
| quantity |
| quantity uom |

| |
|--------|
| 139 mm |
| 225 mm |
| 41 mm |
| 200 |
| pieces |