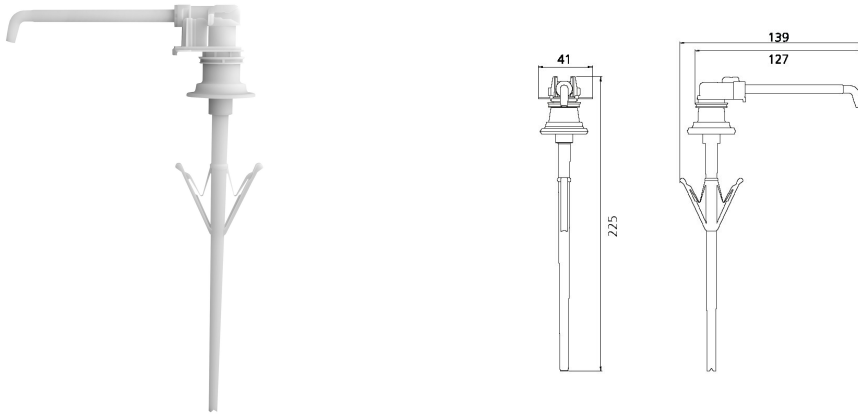


KWC MEDCARE

Disposable plastic pump for MEDCARE dispenser

Modell-Linie: MEDCARE | CMEDC10P
Consumables | Consumables Accessories



KWC-No.

3600003360

Disposable plastic pump for MEDCARE dispenser, 500 ml.
Packaging unit 250 pieces.

3600003361

Disposable plastic pump for MEDCARE Spender, 1000 ml.
Packaging unit 200 pieces.

overall height

184 mm

225 mm

quantity

250

200

NEW

Disposable plastic pump for MEDCARE dispenser 1000 ml, dosage 1.5 ml/stroke, recyclable, individually packed in polybag for

hygiene, packaging unit 200 pieces.

Technical Data

overall depth

139 mm

overall height

225 mm

overall width

41 mm

quantity

200

quantity uom

pieces