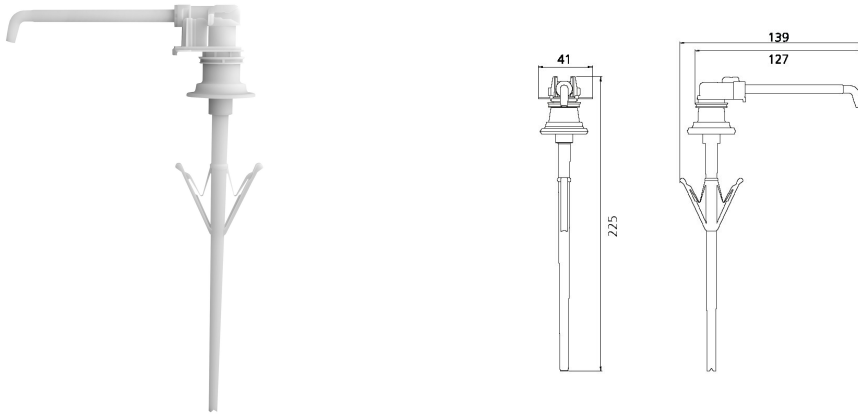


## KWC MEDCARE

### Disposable plastic pump for MEDCARE dispenser

Modell-Linie: MEDCARE | CMEDC10P  
Consumables | Consumables Accessories



#### KWC-No.

**3600003360**  
Disposable plastic pump for MEDCARE dispenser, 500 ml.  
Packaging unit 250 pieces.

**3600003361**  
Disposable plastic pump for MEDCARE Spender, 1000 ml.  
Packaging unit 200 pieces.

#### overall height

184 mm

225 mm

#### quantity

250

200

NEW

Disposable plastic pump for MEDCARE dispenser 1000 ml, dosage 1.5 ml/stroke, recyclable, individually packed in polybag for

hygiene, packaging unit 200 pieces.

#### Technical Data

|                |        |
|----------------|--------|
| overall depth  | 139 mm |
| overall height | 225 mm |
| overall width  | 41 mm  |
| quantity       | 200    |
| quantity uom   | pieces |

|                |        |
|----------------|--------|
| overall depth  | 139 mm |
| overall height | 225 mm |
| overall width  | 41 mm  |
| quantity       | 200    |
| quantity uom   | pieces |