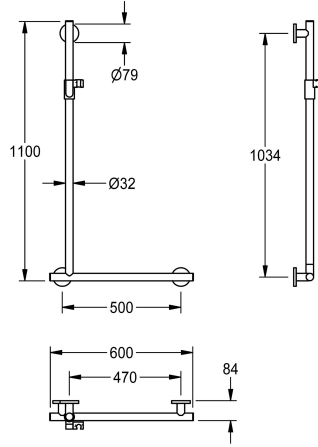


## KWC MEDCARE

### 90° angled grab rail with hand shower holder

Modell-Linie: MEDCARE | MEDC0005

Grab rails | Grab rail



#### KWC-No.

**3600003772**

Right-hand version

**3600003774**

Left-hand version

#### direction

right

left

NEW

MEDCARE 90° angled grab rail with hand shower holder, for wall mounting, stainless steel, basalt grey coated surface, 32 mm pipe diameter, 1.5 mm material thickness, 84 mm wall clearance, with plastic end caps, concealed mounting via stainless steel cylinders and rosettes, equipped with plastic shower holder, Alpine white

colour, including mounting material.

Right-hand version  
dimensions 600 x 1100 x 84 mm (W x H x D)

#### Technical Data

back
direction
material
material code
overall depth
overall height
overall width
surface finish
type of fixing
type of mounting

no
right
stainless steel
1.4301 Chrome Nickel steel V2A
84 mm
1,123 mm
606 mm
satin finished
screw
wall and floor mounting