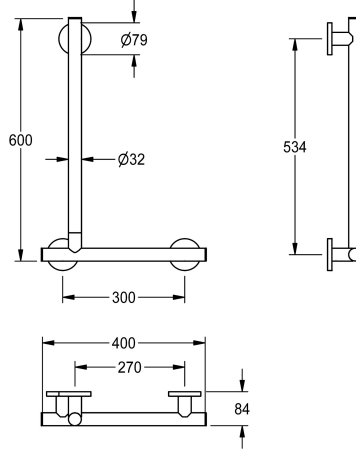


## KWC MEDCARE 90° angled grab rail

Modell-Linie: MEDCARE | MEDC0007  
Grab rails | Grab rail



### KWC-No.

**3600003775**  
Right-hand version

**3600003776**  
Left-hand version

### direction

right

left

MEDCARE 90° angled grab rail for wall mounting, stainless steel, basalt grey coated surface, 32 mm pipe diameter, 1.5 mm material thickness, 84 mm wall clearance, with plastic end caps, concealed mounting via stainless steel cylinders and rosettes, including

mounting material.

Right-hand version  
Dimensions 400 x 600 x 84 mm (W x H x D)

### Technical Data

back

no

direction

right

material

stainless steel

material code

1.4301 Chrome Nickel steel V2A

overall depth

84 mm

overall height

623 mm

overall width

406 mm

surface finish

satın finished

type of fixing

screw

type of grab rail

angle bar

type of mounting

wall and floor mounting