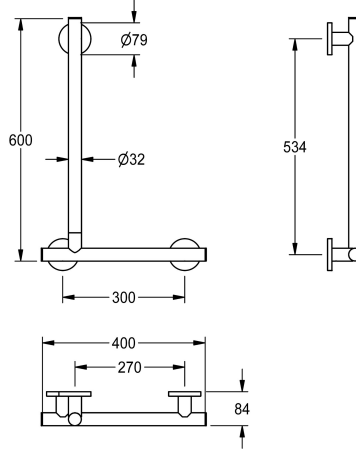


KWC MEDCARE 90° angled grab rail

Modell-Linie: MEDCARE | MEDC0007
Grab rails | Grab rail



KWC-No.

3600003775
Right-hand version

3600003776
Left-hand version

direction

right

left

NEW

MEDCARE 90° angled grab rail for wall mounting, stainless steel, basalt grey coated surface, 32 mm pipe diameter, 1.5 mm material thickness, 84 mm wall clearance, with plastic end caps, concealed mounting via stainless steel cylinders and rosettes, including

mounting material.

Right-hand version
Dimensions 400 x 600 x 84 mm (W x H x D)

Technical Data

back
direction
material
material code
overall depth
overall height
overall width
surface finish
type of fixing
type of grab rail
type of mounting

no
right
stainless steel
1.4301 Chrome Nickel steel V2A
84 mm
623 mm
406 mm
satın finished
screw
angle rail
wall and floor mounting