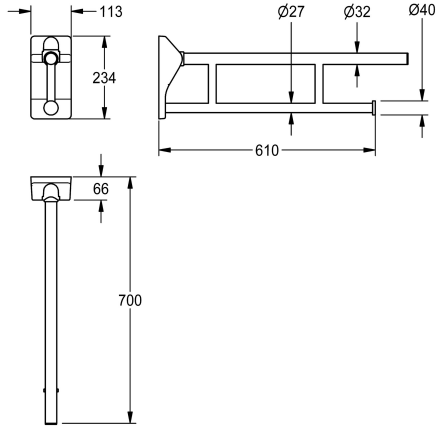
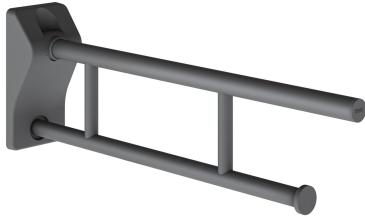


KWC MEDCARE

Folding support rail with toilet roll holder

Modell-Linie: MEDCARE | MEDC0009

Grab rails | Grab rail



KWC-No.

3600003778

Length 700 mm

3600003780

Length 850 mm

overall depth

700 mm

850 mm

MEDCARE folding support rail with toilet roll holder for wall mounting, stainless steel, basalt grey coated surface, two parallel rail levels, top rail 32 mm, bottom rail 27 mm, material thickness 1.5 mm, plastic end caps, protection against accidental folding, stainless

steel mounting plate with basalt grey polyamide cover, load capacity up to 150 kg, mounting material to be provided by client.

Dimensions 113 x 234 x 700 mm (W x H x D)

Technical Data

back
material
material code
overall depth
overall height
overall width
surface finish
type of fixing
type of grab rail
type of mounting

no
stainless steel
1.4301 Chrome Nickel steel V2A
700 mm
234 mm
113 mm
satin finished
screw
support bar
wall and floor mounting