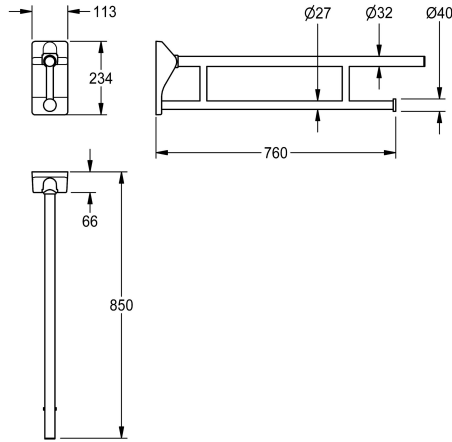
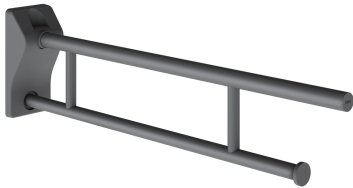


KWC MEDCARE

Folding support rail with toilet roll holder

Modell-Linie: MEDCARE | MEDC0010

Grab rails | Grab rail



KWC-No.

3600003778

Length 700 mm

3600003780

Length 850 mm

overall depth

700 mm

850 mm

MEDCARE folding support rail with toilet roll holder for wall mounting, stainless steel, basalt grey coated surface, two parallel rail levels, top rail 32 mm, bottom rail 27 mm, material thickness 1.5 mm, plastic end caps, protection against accidental folding, stainless

steel mounting plate with basalt grey polyamide cover, load capacity up to 100 kg, mounting material to be provided by client.

Dimensions 113 x 234 x 850 mm (W x H x D)

Technical Data

back

no

material

stainless steel

material code

1.4301 Chrome Nickel steel V2A

overall depth

850 mm

overall height

234 mm

overall width

113 mm

surface finish

satin finished

type of fixing

screw

type of grab rail

support bar

type of mounting

wall and floor mounting