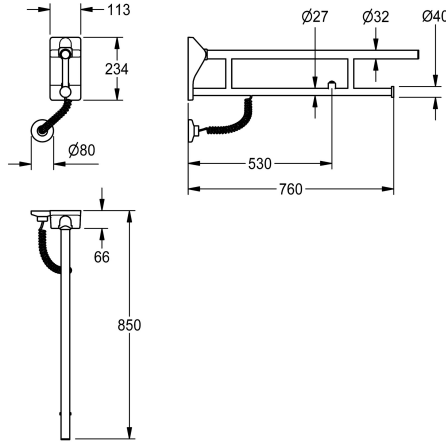
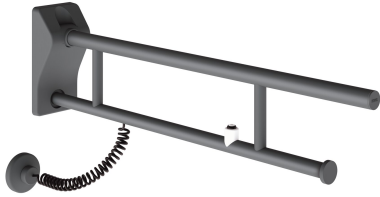


## KWC MEDCARE

### Folding support rail with electronic flush actuation

Modell-Linie: MEDCARE | MEDC0012

Grab rails | Grab rail



#### KWC-No.

**3600003781**

Length 700 mm

**3600003782**

Length 850 mm

#### overall depth

700 mm

850 mm

NEW

MEDCARE folding support rail with electronic flush actuation, for wall mounting, stainless steel, basalt grey coated surface, two parallel rail levels, upper rail 32 mm, lower rail 27 mm, material thickness 1.5 mm, with plastic end caps and integrated toilet roll holder, protection against unintentional folding, stainless steel

mounting plate with basalt grey polyamide cover, load capacity up to 100 kg, mounting material to be provided by client.

Dimensions 113 x 234 x 850 mm (W x H x D)

#### Technical Data

back

no

material

stainless steel

material code

1.4301 Chrome Nickel steel V2A

overall depth

850 mm

overall height

234 mm

overall width

113 mm

surface finish

satin finished

type of fixing

screw

type of grab rail

support bar

type of mounting

wall and floor mounting