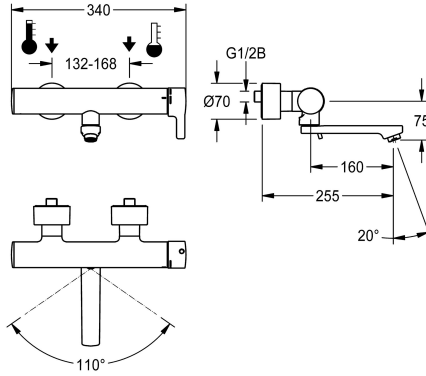


KWC F5L-Therm Thermostatic single-lever wall-mounted mixer

Modell-Linie: F5L | F5LT1106
Taps | Manual taps



KWC-No.

360003854
Projection 195 mm

360003855
Projection 135 mm

360003856
Projection 255 mm

spout projection

215 mm

155 mm

275 mm

NEW

F5L-Therm thermostatic single-lever mixer DN 15 as wall-mounted mixer for wall mounting with lockable swivelling spout, for sanitary facilities. Thermostatically controlled mixer cartridge with expansion element and active scald protection as well as adjustable and turn-proof temperature stop and ceramic disc technology. With mechanism for optional water hygiene unit with C-module for automatic hygiene flushing and readout of statistical data. For connection to hot and cold water. Scald-protected, safe-touch

housing, all-metal construction, polished chromium-plated brass. Volume-reduced, smooth water lines made of brass without nickel coating, decoupled from the tap housing. With thermal insulation components to reduce heat transfer from the tap housing to the cold-water line. Laminar jet controller with integrated flow rate controller 6.0 l/min. With adjustable and lockable connections with backflow preventers and strainers, fully covered by depth-adjustable screw rosettes. Projection 255 mm.

Technical Data

depressurised

functional principle

diameter nominal

inlet size

Locking mechanism

material fitting

type of mixing

Pop-up waste set

protective shutdown

sound insulation

Spout

spout projection

surface finish casing

surface finish fitting

surface treatment fitting

temperature limit

type of mounting

type of operation

type of tap

water connection

no

manual

DN 15

G 1/2 B

Top section, non-ceramic

brass-look

with thermostat

no

no

no

rotating, bottom

275 mm

chromed

chromed

polished

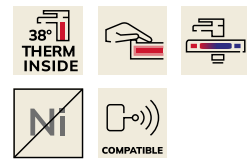
yes

wall mounting

manual operation

bib tap

S-connections



KWC F5L-Therm Thermostatic single-lever wall-mounted mixer

Modell-Linie: F5L | F5LT1106
Taps | Manual taps

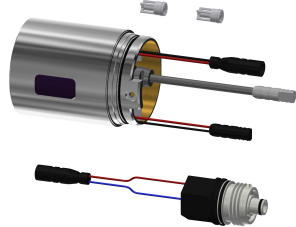
Accent colour	_____	none	_____
Basic colour	_____	chrome-look (glossy)	_____

Optional Accessories



Theft-proof housing for aerator

2000104778
ZTAPS0005



Hygiene unit for compatible KWC thermostatic single-lever wall- mounted mixers

360003861
ACT9001