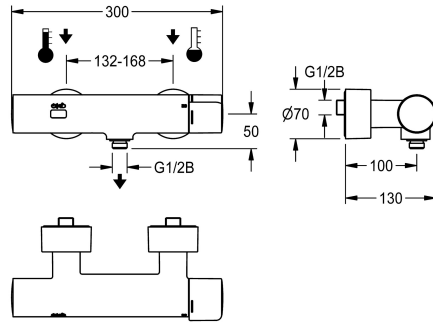


KWC F5E-Therm Electronic thermostatic wall-mounted mixer with battery operation

Modell-Linie: F5E | F5ET2103
Showers | Electronic self closing shower



KWC-No.

3600004013

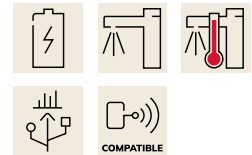
F5E-Therm thermostatic mixer DN 15 for wall mounting, for shower facilities. Electrically controlled, connects to hot water and cold water. Thermostat with metal handle and adjustable, turn-proof temperature stop. With the option of manual thermal disinfection. Control electronics, solenoid valve cartridge, 6 V lithium battery (CR-P2) and touch sensor in all-metal housing with hand shower connection, G 1/2 B, polished chromium-plated brass. With

adjustable and lockable connections with backflow preventers and strainers, fully covered by depth-adjustable screw rosettes. Activated water hygiene flushing 24 hours after last activation, safety switch-off for continuous reflexion and saving of statistical data. With facility for parameterisation and communication via optional bidirectional remote control or C-module unit with the necessary app.

NEW

Technical Data

additional connections	no
with backflow preventer	yes
circulation	no
connection with pay water disp	not possible
default automatic hygiene flush	24h after the last activity
default flow time	30 Seconds
with filter	yes
adjustable flow time	yes
functional principle	electronic self-closing
for hand shower	yes
hygiene flushing	yes
diameter nominal	DN 15
inlet size	G 1/2 B
Locking mechanism	Top section, non-ceramic
material casing	brass
material fitting	brass
maximum flow time	255 Seconds
minimum flow pressure	1 bar
minimum flow time	1 Seconds
type of mixing	with thermostat
number of batteries	1
Parameterization	remote control
power supply connection	Battery 6 V
power consumption	1.5 Voltampere



KWC F5E-Therm

Electronic thermostatic wall-mounted mixer with battery operation

Modell-Linie: F5E | F5ET2103

Showers | Electronic self closing shower

Type of power supply	Battery
protective system IP	IP59K
with rosettes/cover plate	yes
protective shutdown	yes
shower pipe draining	no
sound insulation	no
surface finish casing	chromed
surface finish fitting	chromed
surface treatment fitting	polished
temperature limit	yes
thermal disinfection	manual thermal disinfection
with transformer/power supply	no
type of batteries	CR-P2 Lithium battery 6V
type of mounting	wall mounting
type of operation	sensor operation
type of sensor	opto-electronic sensor
type of shower	wall fitting
water connection	S-connections
position of water connection	from backside
Accent colour	none
Basic colour	chrome-look (glossy)

Optional Accessories



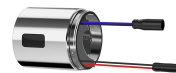
Hand shower

2030051216
ACXX2007



Shower bracket

2030051217
ACXX2008



C-module unit for compatible KWC electronic wall-mounted mixers

3600008377
ACET9003