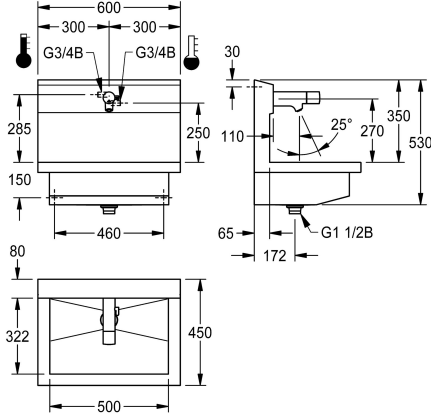
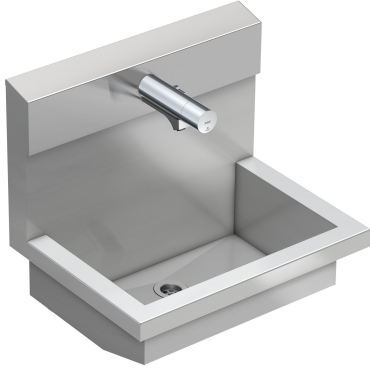


KWC PLANOX

Washbasin unit with electronic washbasin mixer

Modell-Linie: PLANOX | PL6UEM

Washbasins & Washtroughs | Washtroughs



KWC-No.

3600004043

with two wash places
Dimensions 1200 x 530 x 440 mm (W x H x D)

3600004041

with one wash place
Dimensions 600 x 530 x 440 mm (W x H x D)

3600004044

with three wash places
Dimensions 1800 x 530 x 440 mm (W x H x D)

3600004045

with four wash places
Dimensions 2400 x 530 x 440 mm (W x H x D)

overall width

1,200 mm

600 mm

1,800 mm

2,400 mm

NEW

PLANOX washbasin unit with seamless welded trough, one wash place suitable for wall mounting, for connection to hot or cold water from the rear right or left. Stainless steel housing, satin finish, material thickness 1.5 mm. Centre waste, G 1 1/2 B flat perforated waste, including mounting material. Ready for connection, with mounted F5E-Mix electronic washbasin mixer, opto-electronically controlled, activated by hand movement. Control electronics, solenoid valve cartridge, 6 V lithium battery (CR-P2) and sensor in all-metal housing, polished chromium-plated brass. Temperature

lever with adjustable, turn-proof temperature stop. Anti-theft aerator, SLIM design, with integrated flow rate controller 5.0 l/min. Activated hygiene flushing 24 hours after last activation, safety switch-off for continuous reflection and saving of statistical data. Parameterisation and communication possible via optional bidirectional remote control.

Dimensions 600 x 530 x 440 mm (W x H x D)
Wash place width 600 mm

Technical Data

material	stainless steel
material code	1.4301 Chrome Nickel steel V2A
number of waste holes	1
overall width	600 mm
rear upstand	no
splash back	yes
surface finish	satin finished
type of mounting	wall mounting
type of waste kit	perforated waste
waste hole position	centre
waste kit included	yes

material	stainless steel
material code	1.4301 Chrome Nickel steel V2A
number of waste holes	1
overall width	600 mm
rear upstand	no
splash back	yes
surface finish	satin finished
type of mounting	wall mounting
type of waste kit	perforated waste
waste hole position	centre
waste kit included	yes

Optional Accessories

KWC PLANOX

Washbasin unit with electronic washbasin mixer

Modell-Linie: PLANOX | PL6UEM

Washbasins & Washtroughs | Washtroughs



Bidirectional remote control for electronic fittings F3 and F5

2030036654
ACEX9005



2-button remote control for fittings F3 and F5

2030036849
ACEX9004



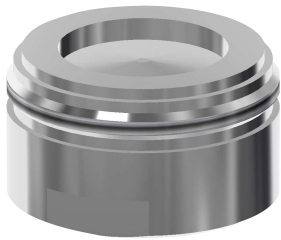
5.0 l/min aerator, angle-adjustable

2030041326
ACXX1002



3.0 l/min. aerator

2030041424
ASXX1008



Aerator 1.8 l/min

2030041442
ACXX1005



Hexagonal socket wrench

2030047722
ACEX9011



Stainless steel care set

2000109019
ZWSPL0024



Trap

2000101371
E-RNDX-SIPHON

Spare Parts



F5E-Mix electronic washbasin mixer for fitting unit or wall flange

2030058995
F5EM1015



Lithium battery 6 V

2000104846
EPRTR0008



Solenoid valve cartridge

2030045522
ACXX9002



F5 Foil

2030053034
ASET2010

KWC PLANOX

Washbasin unit with electronic washbasin mixer

Modell-Linie: PLANOX | PL6UEM

Washbasins & Washtroughs | Washtroughs



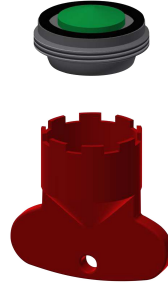
Battery compartment

3600002063
ACEX9023



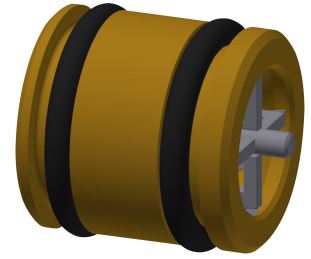
Mounting key

2030041329
ACXX1003



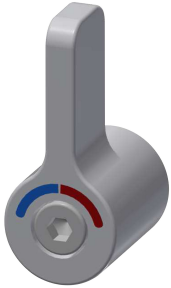
Aerator 5.0 l/min

2030041011
ASXX1004



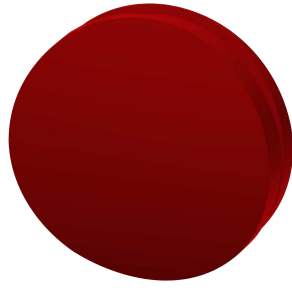
Guide bushing

2030023924
ETAPS0040



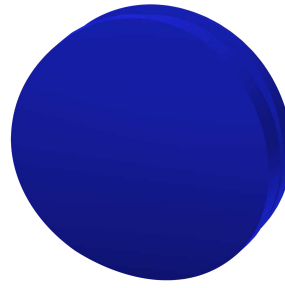
Temperature selection lever

2030041431
ASEM1001



Plug red

2030041951
ASEX1009



Plug blue

2030041952
ASEX1010



Hexagonal socket wrench

2030047722
ACEX9011



Stainless steel care set

2000109019
ZWSPL0024



Cleaning product CHROMOL

2000105091
ZWSPL0023