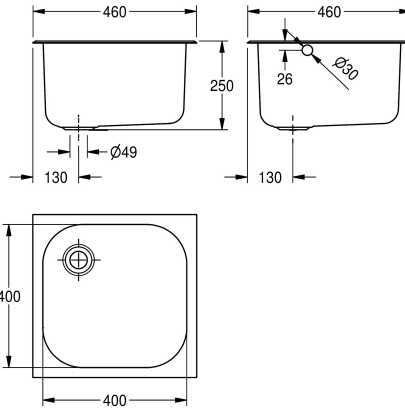


## KWC SIRIUS

Basin to be installed from above

Modell-Linie: SIRIUS | C20132W

Washbasins & Washtroughs | Wash basins



### KWC-No.

**3600005239**

**3600005240**

Dimensions 460 x 300 x 460 mm (W x H x D)

SIRIUS small rimmed edged bowl for inseting into worktops, stainless steel with satin finish, material thickness 1.2mm, bowl dimension 400 x 250 x 400 mm. The bowl has a 30 mm rimmed edge and is prepared for a 38 mm waste and overflow. There are no tap holes therefore taps are to be mounted through the worktop

or on the wall, cut-out size should be 410 x 410 mm. Fixing clips are included. Does not include waste, plug, chain and overflow.

Bowl dimensions 400 x 250 x 400 mm (W x H x D)

Dimensions 460 x 250 x 460 mm (W x H x D)

### Technical Data

bowl - bowl height

250 mm

bowl - depth

460 mm

bowl - width

460 mm

material

stainless steel

overall depth

460 mm

overall height

250 mm

overall width

460 mm