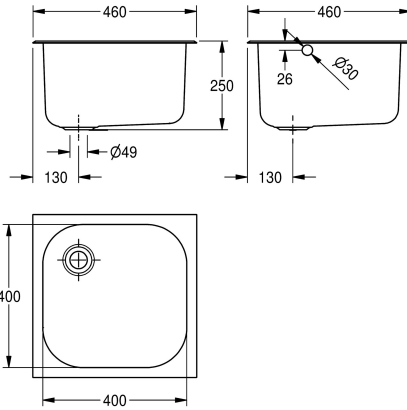


## KWC SIRIUS

Basin to be installed from above

Modell-Linie: SIRIUS | C20132W

Lavabo | Lavabos



### KWC-No.

**3600005239**

**3600005240**

Dimensions 460 x 300 x 460 mm (W x H x D)

SIRIUS small rimmed edged bowl for inseting into worktops, stainless steel with satin finish, material thickness 1.2mm, bowl dimension 400 x 250 x 400 mm. The bowl has a 30 mm rimmed edge and is prepared for a 38 mm waste and overflow. There are no tap holes therefore taps are to be mounted through the worktop

or on the wall, cut-out size should be 410 x 410 mm. Fixing clips are included. Does not include waste, plug, chain and overflow.

Bowl dimensions 400 x 250 x 400 mm (W x H x D)

Dimensions 460 x 250 x 460 mm (W x H x D)

### Datos técnicos

Altura de la cubeta

250 mm

Longitud de lavabo

460 mm

Anchura de la cubeta

460 mm

Material

Acero inoxidable

Profundidad

460 mm

Altura

250 mm

Anchura total

460 mm