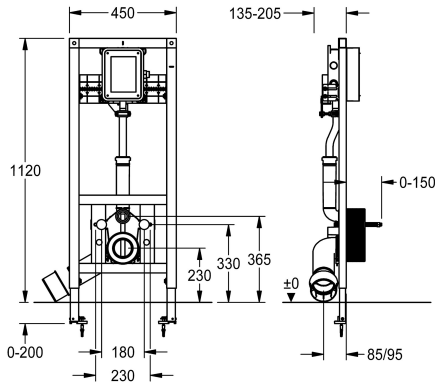


## KWC AQUAFIX

Installation frame with WC flush valve for in-wall installation

Modell-Linie: AQUAFIX | AQFX0012

Installation frames | Installation units wc



### KWC-No.

**360005980**

Installation frame for wall-mounted toilet bowls

AQUAFIX installation frame for wall-mounted toilet bowls, with pre-fitted basic installation kit for KWC WC flush valves for in-wall installation. Self-supporting, powder-coated steel frame construction, TÜV tested, for installation of single units in dry wall lining, mounting bracket 4-fold adjustable for 90 / 100 mm toilet-

connecting elbow, complete with inlet and outlet tap kit, retaining bolts for toilet, building protection and fixing materials.

Dimensions 450 x 1120 mm (W x H)

### Technical Data

application
barrier-free
Built-in fitting model
diameter nominal
material
type of mixing
outlet size
overall depth
overall height
overall width
type
type of mounting

WC flush valve
no
Built-in section
DN 20
Steel
no
DN 100
205 mm
1,120 mm
450 mm
installation element
wall and floor mounting

### Mandatory Accessories



## KWC AQUAFIX

Installation frame with WC flush valve for in-wall installation

Modell-Linie: AQUAFIX | AQFX0012

Installation frames | Installation units wc

**F5E WC flush valve for in-wall installation**

**3600000383**  
F5EF4008

**F3S WC flush valve for in-wall installation**

**2030068201**  
F3SF4002

**F5E - A3000 open electronic WC flush valve for in-wall installation**

**2030068203**  
F5EF4005

### Optional Accessories



**AQUAFIX wall bracket**

**2000100867**  
ZCMPX140