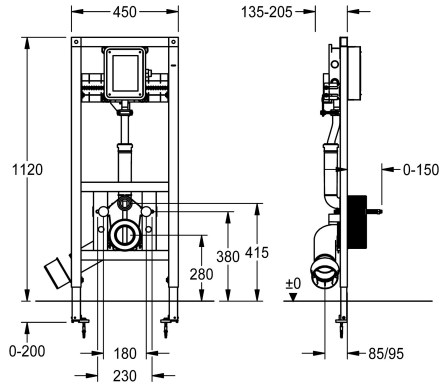


KWC AQUAFIX

Installation frame for barrier-free WC systems, with WC flush valve for in-wall installation

Modell-Linie: AQUAFIX | AQFX0013

Installation frames | Installation units wc



KWC-No.

360005981

Installation frame for barrier-free wall-mounted toilet bowls

AQUAFIX installation frame for barrier-free wall-mounted toilet bowls, with pre-fitted basic installation kit for KWC WC flush valves for in-wall installation. Self-supporting, powder-coated steel frame construction, TÜV tested, for installation of single units in dry wall lining, mounting bracket 4-fold adjustable for 90 / 100 mm toilet-

connecting elbow, complete with inlet and outlet tap kit, retaining bolts for toilet, building protection and fixing materials.

Dimensions 450 x 1120 mm (W x H)

Technical Data

application
barrier-free
Built-in fitting model
diameter nominal
material
type of mixing
outlet size
overall depth
overall height
overall width
type
type of mounting

WC flush valve
yes
Built-in section
DN 20
Steel
no
DN 100
205 mm
1,120 mm
450 mm
installation element
wall and floor mounting

Mandatory Accessories



KWC AQUAFIX

Installation frame for barrier-free WC systems, with WC flush valve for in-wall installation

Modell-Linie: AQUAFIX | AQFX0013
Installation frames | Installation units wc

F5E WC flush valve for in-wall installation

3600000383
F5EF4008

F3S WC flush valve for in-wall installation

2030068201
F3SF4002

F5E - A3000 open electronic WC flush valve for in-wall installation

2030068203
F5EF4005

Optional Accessories



AQUAFIX wall bracket

2000100867
ZCMPX140



AQUAFIX subframe for attaching grab rails / handles to for right-hand

2030019966
AQFX0003



AQUAFIX subframe for attaching grab rails / handles to for left-hand

2030019974
AQFX0004