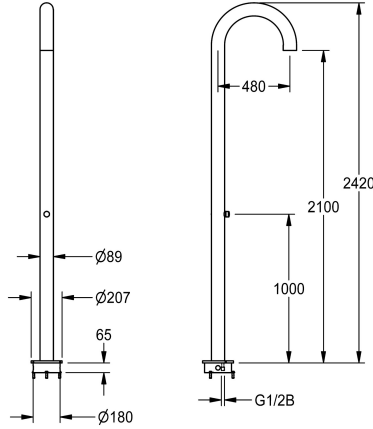


KWC F3S Free-standing shower

Modell-Linie: F3S | F3SV2014
Showers | Self closing freestanding showers



KWC-No.

3600006748

NEW

F3S free-standing shower made of stainless steel for free-standing installation, material 1.4404, surface ground, material thickness 3 mm, with mounting base for installation on the unfinished floor. Water connection from below to pre-mixed hot or cold water. Mounting stand with DN 15 integrated self-closing gate valve, hydraulically controlled, piston-free design, self-closing, fully

adjustable flow time, visible parts in polished chromium-plated brass as well as stainless steel shower base with anti-limescale system, includes mounting material.

Dimensions 207 x 2420 x 630 mm (W x H x D)
Pipe diameter 89 mm

Technical Data

additional connections
circulation
compatible A3000 open
connection with pay water disp
adjustable flow time
functional principle
for hand shower
hygiene flushing
diameter nominal
Locking mechanism
material casing
material fitting
maximum flow time
minimum flow pressure
minimum flow time
type of mixing
Parameterization
protective shutdown
shower pipe draining
Shower head
with shower set
sound insulation
surface finish fitting
thermal disinfection
adjustable tilt angle

no
no
no
not possible
yes
hydraulic self-closing
no
no
DN 15
Top section, non-ceramic
stainless steel
brass
35 Seconds
1 bar
5 Seconds
no
manual thermal disinfection
no
no
with shower head
no
no
chromed
no
no

KWC F3S

Free-standing shower

Modell-Linie: F3S | F3SV2014

Showers | Self closing freestanding showers

type of mounting

floor mounting

type of operation

manual operation

type of shower

free standing shower

type of shower head

spray shower head

volume flow rate at 3 bar

0.13 l/s

position of water connection

below

with soap dish

no

Spare Parts



Stainless steel care set

2000109019
ZWSPL0024

Cleaning product CHROMOL

2000105091
ZWSPL0023