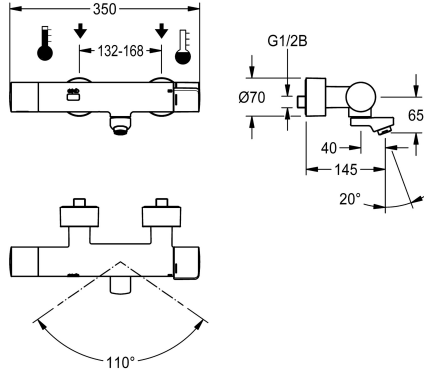


KWC F5E-Therm

Electronic thermostatic wall-mounted mixer with battery operation and pre-fitted C-module unit

Modell-Linie: F5E | F5ET1116

Taps | Electronic taps



KWC-No.

360008356
with 200 mm projection

360008354
Projection 145 mm

360008357
Projection 260 mm

spout projection

215 mm

155 mm

275 mm

NEW

F5E-Therm thermostatic mixer DN 15 for wall mounting with lockable swivelling outlet, for sanitary facilities. Opto-electronic control, activation on hand reflection. Pre-fitted C-module unit for radio-controlled parameterisation, read-out of statistical data, realisation of predefined calendar functions as well as grouping of taps to perform predefined control functions via the necessary app. Thermostat with metal handle with adjustable, turn-proof temperature stop. With the option of manual thermal disinfection. For connection to hot and cold water. Control electronics, solenoid valve

cartridge, 6 V lithium battery (CR-P2) and sensor in all-metal housing, polished chromium-plated brass. Laminar jet controller with integrated flow rate controller 6.0 l/min. With adjustable and lockable connections with backflow preventers and strainers, fully covered by depth-adjustable screw rosettes. 145 mm projection. Activated water hygiene flushing 24 hours after last activation, safety switch-off for continuous reflection and saving of statistical data.

Technical Data

with backflow preventer

compatible A3000 open

default automatic hygiene flush

depressurised

with filter

adjustable flow time

functional principle

hygiene flushing

diameter nominal

inlet size

Locking mechanism

material fitting

maximum flow time

minimum flow pressure

minimum flow time

type of mixing

number of batteries

Parameterization

Pop-up waste set

power supply connection

yes

no

24h after the last activity

no

yes

yes

electronic self-closing

yes

DN 15

G 1/2 B

Top section, non-ceramic

brass-look

255 Seconds

1 bar

1 Seconds

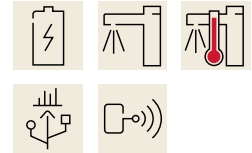
with thermostat

1

remote control / app

no

Battery 6 V



KWC F5E-Therm

Electronic thermostatic wall-mounted mixer with battery operation and pre-fitted C-module unit

Modell-Linie: F5E | F5ET1116

Taps | Electronic taps

power consumption	1.5 Voltampere
Type of power supply	Battery
protective system IP	IP59K
with rosettes/cover plate	yes
protective shutdown	yes
sound insulation	no
Spout	rotating, bottom
spout projection	155 mm
surface finish fitting	chromed
surface treatment fitting	polished
temperature limit	yes
thermal disinfection	manual
with transformer/power supply	no
type of batteries	CR-P2 Lithium battery 6V
type of mounting	wall mounting
type of operation	sensor operation
type of sensor	opto-electronic sensor
type of tap	bib tap
volume flow rate at 3 bar	0.1 l/s
water connection	S-connections
Accent colour	none
Basic colour	chrome-look (glossy)

Optional Accessories



Theft-proof housing for aerator

2000104778
ZTAPS0005