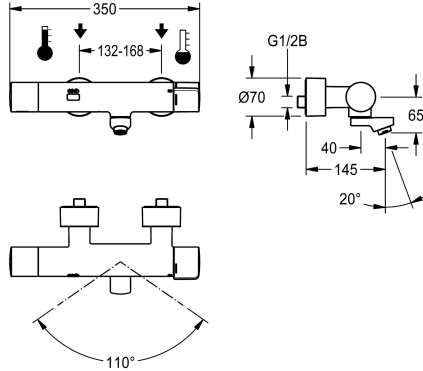


## KWC F5E-Therm

Electronic thermostatic wall-mounted mixer with battery operation and pre-fitted C-module unit

Modell-Linie: F5E | F5ET1116  
Taps | Electronic taps



### KWC-No.

**360008356**  
with 200 mm projection

**360008354**  
Projection 145 mm

**360008357**  
Projection 260 mm

### spout projection

215 mm

155 mm

275 mm

**NEW**

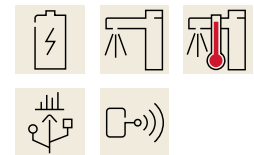
F5E-Therm thermostatic mixer DN 15 for wall mounting with lockable swivelling outlet, for sanitary facilities. Opto-electronic control, activation on hand reflection. Pre-fitted C-module unit for radio-controlled parameterisation, read-out of statistical data, realisation of predefined calendar functions as well as grouping of taps to perform predefined control functions via the necessary app. Thermostat with metal handle with adjustable, turn-proof temperature stop. With the option of manual thermal disinfection. For connection to hot and cold water. Control electronics, solenoid valve

cartridge, 6 V lithium battery (CR-P2) and sensor in all-metal housing, polished chromium-plated brass. Laminar jet controller with integrated flow rate controller 6.0 l/min. With adjustable and lockable connections with backflow preventers and strainers, fully covered by depth-adjustable screw rosettes. 145 mm projection. Activated water hygiene flushing 24 hours after last activation, safety switch-off for continuous reflection and saving of statistical data.

### Technical Data

with backflow preventer
compatible A3000 open
default automatic hygiene flush
depressurised
with filter
adjustable flow time
functional principle
hygiene flushing
diameter nominal
inlet size
Locking mechanism
material fitting
maximum flow time
minimum flow pressure
minimum flow time
type of mixing
number of batteries
Parameterization
Pop-up waste set
power supply connection

yes
no
24h after the last activity
no
yes
yes
electronic self-closing
yes
DN 15
G 1/2 B
Top section, non-ceramic
brass
255 Seconds
1 bar
1 Seconds
with thermostat
1
remote control / app
no
Battery 6 V



## KWC F5E-Therm

Electronic thermostatic wall-mounted mixer with battery operation and pre-fitted C-module unit

### Modell-Linie: F5E | F5ET1116

Taps | Electronic taps

power consumption	1.5 Voltampere
Type of power supply	Battery
protective system IP	IP59K
with rosettes/cover plate	yes
protective shutdown	yes
sound insulation	no
Spout	rotating, bottom
spout projection	155 mm
surface finish fitting	chromed
surface treatment fitting	polished
temperature limit	yes
thermal disinfection	manual thermal disinfection
with transformer/power supply	no
type of batteries	CR-P2 Lithium battery 6V
type of mounting	wall mounting
type of operation	sensor operation
type of sensor	opto-electronic sensor
type of tap	bib tap
volume flow rate at 3 bar	0.1 l/s
water connection	S-connections
Accent colour	none
Basic colour	chrome-look (glossy)