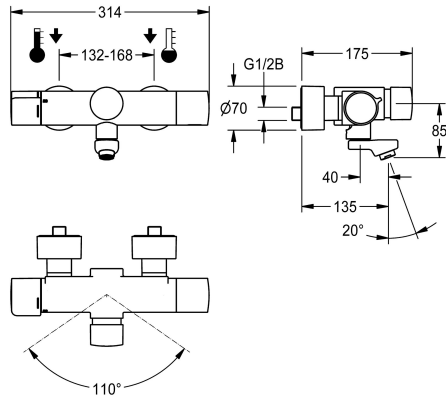


KWC F5S-Therm

Self-closing thermostatic wall-mounted mixer with pre-fitted hygiene unit

Modell-Linie: F5S | F5ST1104
Kranar | Självstängande kranar



KWC-No.

3600008420
Projection 195 mm

3600008409
Projection 135 mm

3600008421
Projection 255 mm

Sprut kastare

195 mm

135 mm

255 mm

NEW

F5S-Therm self-closing thermostatic mixer DN 15 for wall mounting with lockable swivelling outlet, for sanitary facilities. Hydraulically controlled, connects to hot water and cold water. Pre-fitted hygiene unit with C-module including control electronics, 6 V lithium battery (CR-P2) and solenoid valve cartridge for automatic hygiene flushing and saving of statistical data. FRAMIC self-closing cartridge, hydraulically controlled, low maintenance and stagnation free, with ceramic disc technology, self closing, flow pressure independent due to medium-independent design. Fully adjustable flow time, thermostat with metal handle with adjustable and turn-proof

temperature stop, with option for performing manual thermal disinfection. Scald-protected, safe-touch housing, all-metal construction, polished chromium-plated brass. Laminar jet controller with integrated flow rate controller 6.0 l/min. With adjustable and lockable connections with backflow preventers and strainers, fully covered by depth-adjustable screw rosettes. Reach 135 mm. Activated hygiene flushing, fixed interval of 24 hours. With option for radio-controlled parameterisation, read-out of statistical data, realisation of predefined calendar functions as well as grouping of taps to perform predefined control functions via the necessary app.

Technical Data

med återströmningsskydd

A3000 open-kompatibel

Standard automatisk hygien spolning

Nedtryckt

med filter

Justerbar flödestid

Funktionell princip

ATT-WS-HYGIENE-FLUSH

Nominell diameter

Inbyggnadsmått

Låsmekanism

Material delar

Maximal flödestid

Minimalt flödestryck

Minimal flödes tid

Typ av blandning

Antal batterier

Parametrisering

ATT-WS-POPUPWASTESET

Ja

Nej

fast intervall 24 timmar

Nej

Ja

Ja

Hydrauliskt självstängande

Ja

DN 15

G 1/2 B

Överdel av keramik

Mässing

35 Sekunder

1 bar

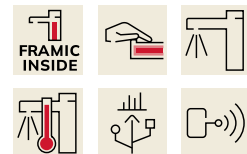
5 Sekunder

Med termostat

1

APP

Nej



KWC F5S-Therm

Self-closing thermostatic wall-mounted mixer with pre-fitted hygiene unit

Modell-Linie: F5S | F5ST1104

Kranar | Självstängande kranar

| | |
|-------------------------------|----------------------------|
| Kraft försörjnings anslutning | Batteri 6 V |
| Typ av strömförsörjning | BATTERY |
| Skydds system IP | 59K |
| med rosetter/täckplatta | Ja |
| Säkerhetsavstängning | Nej |
| Ljud isolering | Nej |
| ATT-WS-SPOUT | ROTATING-BOT |
| Sprut kastare | 135 mm |
| yt finish | Förkromad |
| Passande ytfinish | polerad |
| Temperaturstopp | Ja |
| terminal för desinfektion | MANUAL |
| ATT-WS-TRANSFORMER | Nej |
| Typ av batterier | CR-P2 |
| Typ av montering | Väggmontering |
| Typ av operation | Manull operation |
| Typ av kran | Tvågreppsblandare |
| Volymflöde vid 3 bar | 0.1 l/s |
| Vattenanslutning | S-anslutningar |
| Accentfärg | utan |
| Basfärg | Kromat utseende (glansigt) |