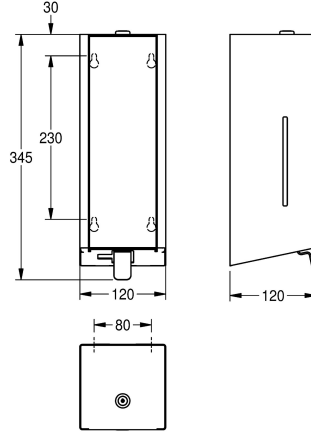


KWC EXOS.

Soap dispenser for wall mounting

Modell-Linie: EXOS | EXO618B | 3600008771 | EAN/GTIN: 7612987159423

Accessories | Soap dispensers



Article Number

3600008780

Front, stainless steel

3600008771

Stainless steel main housing, black toughened safety glass front panel

3600008792

Stainless steel,main housing, white toughened safety glass front panel

Accent colour

stainless steel

black

white

EXOS soap dispenser for wall mounting, stainless steel, surface satin finished, black toughened safety glass front, material thickness 1.2 mm, inspection window on the side, cylinder lock with key, suitable for liquid soap or lotion, 800 ml refill container,

with stainless steel push lever, dispenser mechanism on the front for easy filling, including mounting material.

Dimensions 120 x 345 x 120 mm (W x H x D)

Technical Data

filling quantity

0.8

filling quantity uom

liter

lock

key-lock

material

stainless steel

material code

1.4301 Chrome Nickel steel V2A

material thickness

1.2 mm

overall depth

120 mm

overall height

345 mm

overall width

120 mm

surface finish

satin finished

type of consumable

liquid soap

type of fixing

screw

type of mounting

wall mounting

type of operation

manual operation

type of soap container

integrated refillable tank

Accent colour

black

Basic colour

stainless steel

Optional Accessories

KWC EXOS.
Soap dispenser for wall mounting

Modell-Linie: EXOS | EXO618B | 3600008771 | EAN/GTIN: 7612987159423
Accessories | Soap dispensers



EXOS. Stainless steel front for soap dispenser for wall mounting

3600008777
ZEXO616



EXOS. front with white safety glass panel for soap dispenser for wall mounting

2030025238
ZEXOS616W



EXOS. conversion kit for EXOS. soap dispenser

2030022954
ZEXOS625K



EXOS. conversion kit for foam soap dispenser

2030022955
ZEXOS616K

Consumables



Liquid soap

2030058103
SO1LP



Liquid soap

2000057168
SO10L