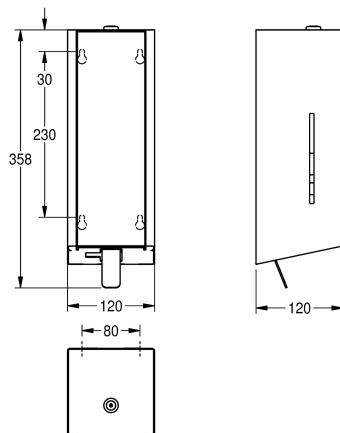


## KWC EXOS. Foam soap dispenser for wall mounting

Modell-Linie: EXOS | EXO616B | 3600008776 | EAN/GTIN: 7612987159478  
Accessories | Soap dispensers



### Article Number

#### 3600008775

Front with stainless steel surface refinement

#### 3600008776

Stainless steel main housing, black toughened safety glass front panel

#### 3600008794

Stainless steel main housing, white toughened safety glass front panel

EXOS foam soap dispenser for wall mounting, stainless steel, surface satin finished, front black toughened safety glass, material thickness 1.2 mm, side windows, cylinder lock with key, with stainless steel pull handle, suitable for KWC foam soap, including

mounting material and 650 ml KWC foam soap cartridge.

Dimensions 120 x 358 x 120 mm (W x H x D)

### Technical Data

Füllmenge

650

Füllmenge ME

ml

Schloss

Zylinderschloss

Material

Edelstahl

Materialtyp

1.4301 Chromnickelstahl V2A

Materialstärke

1.2 mm

Gesamttiefe

120 mm

Gesamthöhe

358 mm

Gesamtbreite

120 mm

Oberflächenbehandlung

seidenmatt

Art des Verbrauchsmaterials

Schaumseife

Art der Befestigung

geschraubt

Art der Montage

Wandmontage

Art der Bedienung

manueller Betrieb

Typ des Seifentanks/-pumpe

Einwegbeutel

### Optional Accessories

**KWC EXOS.**  
Foam soap dispenser for wall mounting

Modell-Linie: EXOS | EXO616B | 3600008776 | EAN/GTIN: 7612987159478  
Accessories | Soap dispensers



**EXOS. Stainless steel front for soap dispenser for wall mounting**

**3600008777**  
ZEXO616



**EXOS. front with white safety glass panel for soap dispenser for wall mounting**

**2030025238**  
ZEXOS616W



**EXOS. conversion kit for EXOS soap dispenser**

**2030022954**  
ZEXOS625K



**EXOS. conversion kit for liquid soap dispenser**

**2030022956**  
ZEXOS618K

**Consumables**



**Foam soap cartridge**

**2030058766**  
EXINX616FP