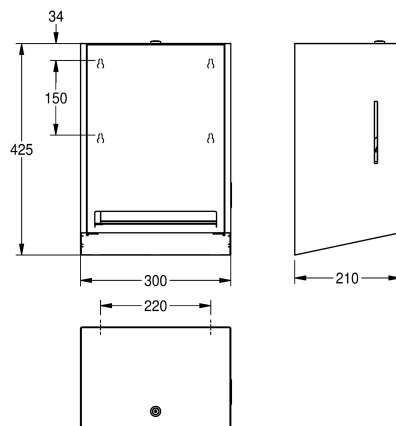


KWC EXOS.

Paper towel dispenser for wall mounting

Modell-Linie: EXOS | EXO637X | 3600008778 | EAN/GTIN: 7612987159492

Accessories | Paper towel dispensers



Article Number

3600008778

Front, stainless steel

3600008779

Stainless steel main housing, black toughened safety glass front panel

3600008796

Stainless steel main housing, white toughened safety glass front panel

Akzentfarbe

Edelstahl

schwarz

weiss

EXOS paper towel dispenser for wall mounting, stainless steel, surface satin finished, material thickness 1.2 mm, cylinder lock with key, capacity one paper roll, paper is transported automatically - to be pulled by hand, maintenance-free mechanism, no electrical connections or batteries required, easy roll change mechanism for rolls with maximum width 205 mm and

maximum diameter 200 mm, fixed paper tear-off length 260 mm, adjustable paper roll holder for optimised paper dispensing, mounting material included.

Dimensions 300 x 425 x 210 (W x H x D)

Technical Data

maximale Tiefe/Durchmesser Ver

200 mm

maximale Breite Verbrauchsmate

205 mm

Füllmenge

1

Füllmenge ME

Rollen

Schloss

Zylinderschloss

Material

Edelstahl

Materialtyp

1.4301 Chromnickelstahl V2A

Materialstärke

1.2 mm

Gesamttiefe

210 mm

Gesamthöhe

425 mm

Gesamtbreite

300 mm

Oberflächenbehandlung

seidenmatt

Art des Verbrauchsmaterials

Papierrolle

Art der Befestigung

geschraubt

Art der Montage

Wandmontage

Art der Bedienung

manueller Betrieb

Akzentfarbe

Edelstahl

Grundfarbe

Edelstahl

KWC EXOS.

Paper towel dispenser for wall mounting

Modell-Linie: EXOS | EXO637X | 3600008778 | EAN/GTIN: 7612987159492

Accessories | Paper towel dispensers

Optional Accessories



EXOS. front with black safety glass panel

2030022953
ZEXOS637B



EXOS. front with white safety glass panel

2030025239
ZEXOS637W
