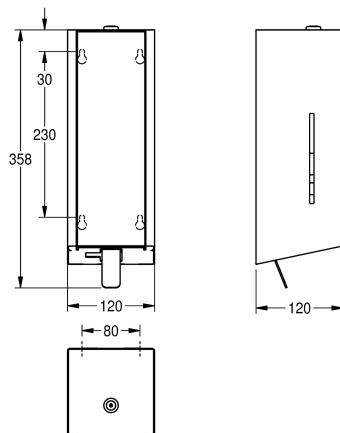


**KWC EXOS.**  
Foam soap dispenser for wall mounting

**Modell-Linie:** EXOS | EXO616W | 3600008794 | EAN/GTIN: 7612987159553  
Accessories | Soap dispensers



**Article Number**

**3600008775**  
Front with stainless steel surface refinement

**3600008776**  
Stainless steel main housing, black toughened safety glass front panel

**3600008794**  
Stainless steel main housing, white toughened safety glass front panel

EXOS foam soap dispenser for wall mounting, stainless steel, surface satin finished, front white toughened safety glass, material thickness 1.2 mm, side windows, cylinder lock with key, with stainless steel pull handle, suitable for KWC foam soap,

including mounting material and 650 ml KWC foam soap cartridge.

Dimensions 120 x 358 x 120 mm (W x H x D)

**Technical Data**

Füllmenge	650
Füllmenge ME	ml
Schloss	Zylinderschloss
Material	Edelstahl
Materialtyp	1.4301 Chromnickelstahl V2A
Materialstärke	1.2 mm
Gesamttiefe	120 mm
Gesamthöhe	358 mm
Gesamtbreite	120 mm
Oberflächenbehandlung	seidenmatt
Art des Verbrauchsmaterials	Schaumseife
Art der Befestigung	geschraubt
Art der Montage	Wandmontage
Art der Bedienung	manueller Betrieb
Typ des Seifentanks/-pumpe	Einwegbeutel

**Optional Accessories**

**KWC EXOS.**  
Foam soap dispenser for wall mounting

Modell-Linie: EXOS | EXO616W | 3600008794 | EAN/GTIN: 7612987159553  
Accessories | Soap dispensers



**EXOS. Stainless steel front for soap dispenser for wall mounting**

**3600008777**  
ZEXO616



**EXOS. front with black safety glass panel for soap dispenser for wall mounting**

**2030022948**  
ZEXOS616B



**EXOS. conversion kit for EXOS. soap dispenser**

**2030022954**  
ZEXOS625K



**EXOS. conversion kit for liquid soap dispenser**

**2030022956**  
ZEXOS618K

**Consumables**



**Foam soap cartridge**

**2030058766**  
EXINX616FP